

MK-Series

page 108

MK

The MK- series is a combination of the 1.8 Watt / 3.0 VA solenoid-system MD 401 (detailed information on page 2.13.1) and the G 1/4" valves of the 700-series with a flow of 1.250 NL/min. The following valves are available:



MK 310 701 G	3/2-way single solenoid, n.c.	dual use	description on page 2.5.1.1.16
MOK 310 701 G	3/2-way single solenoid, n.o.	dual use	page 2.5.1.1.16
MK 320 701 G	3/2-way single solenoid	dual use	page 2.5.1.1.20
MK 510 701 G	5/2-way single solenoid	dual use	page 2.5.2.1.5
MK 520 701 G	5/2-way double solenoid	dual use	page 2.5.2.1.11
MK 531 701 G	5/3-way centre closed	dual use	page 2.5.3.1.4
MK 532 701 G	5/3-way centre exhausted	dual use	page 2.5.3.1.4
MK 533 701 G	5/3-way centre pressurized	dual use	page 2.5.3.1.4
MK 510 703	5/2-way single solenoid	manifold	page 2.5.2.2.2
MK 520 703	5/2-way double solenoid	manifold	page 2.5.2.2.6
MK 531 703	5/3-way centre closed	manifold	page 2.5.3.2.2
MK 532 703	5/3-way centre exhausted	manifold	page 2.5.3.2.2
MK 533 703	5/3-way centre pressurized	manifold	page 2.5.3.2.2
MK 510 704	5/2-way single solenoid	manifold	page 2.5.2.2.4
MK 520 704	5/2-way double solenoid	manifold	page 2.5.2.2.8
MK 531 704	5/3-way centre closed	manifold	page 2.5.3.2.4
MK 532 704	5/3-way centre exhausted	manifold	page 2.5.3.2.4
MK 533 704	5/3-way centre pressurized	manifold	page 2.5.3.2.4

as well as valves with NAMUR-interface, please refer to chapter 2.9.



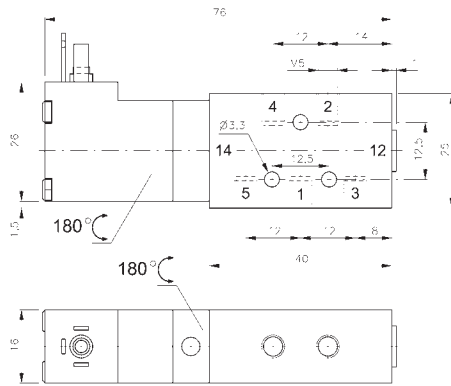
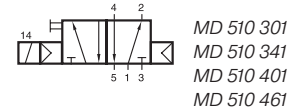
- ## Advantages
- High flow
 - Compact design
 - Low power consumption



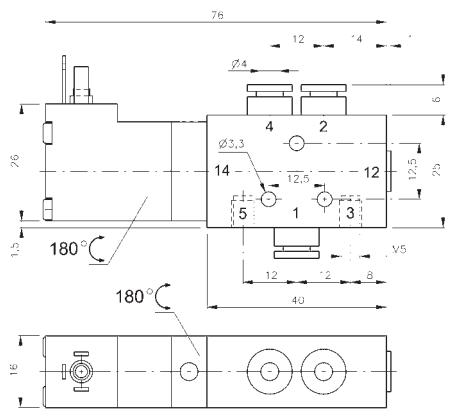
The valves are also used for the **22 mm terminals**, described in chapter 2.8.

MD 510 301/MD 510 341 MD 510 401/MD 510 461

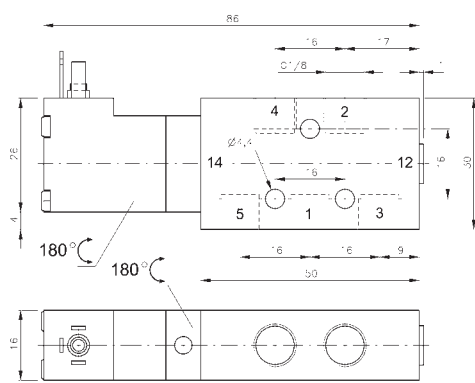
2.5.2.1.1
page 109



MD 510 301



MD 510 341



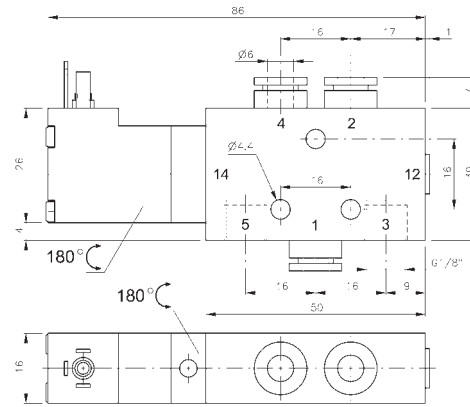
MD 510 401



5/2-way solenoid valve actuated by permanent signal and equipped with air spring return.

Available with solenoid operators:
230V/50Hz, 110V/50Hz, 24V/50Hz, 24V=,
12V=, 6V= either for connector form C ISO 15217
or with flying leads, standard cable length 500 mm.
For details about solenoid system, please refer to
page 2.13.1.

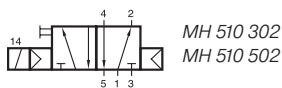
Valves are generally equipped with manual override
to push.



MD 510 461

Type	Ports 1, 2, 4	Air flow	Operating press.	Power consumption	Weight
MD 510 301	M5	280 l/min	3 - 10 bar	1,8 W = / 3,0 VA ~	0,09 kg
MD 510 341	pif 4 mm	280 l/min	3 - 10 bar	1,8 W = / 3,0 VA ~	0,10 kg
MD 510 401	G 1/8"	450 l/min	3 - 10 bar	1,8 W = / 3,0 VA ~	0,10 kg
MD 510 461	pif 6 mm	450 l/min	3 - 10 bar	1,8 W = / 3,0 VA ~	0,12 kg

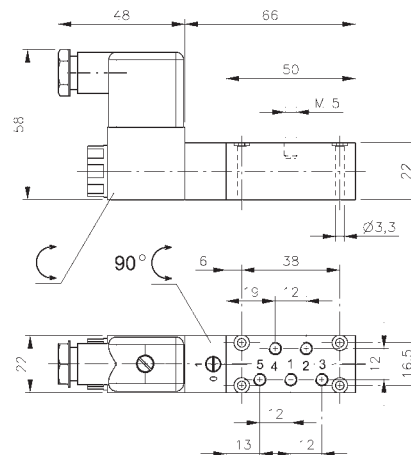
MH 510 302/MH 510 502



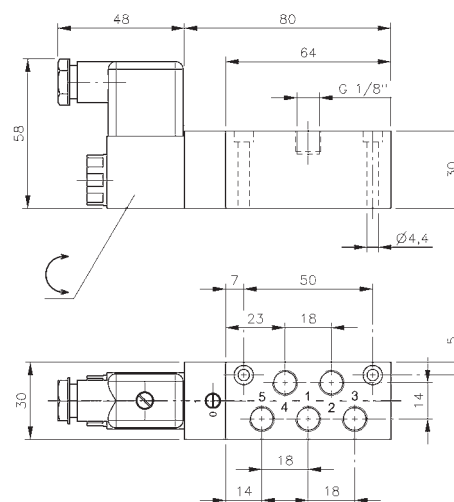
5/2-way solenoid valve actuated by permanent signal and equipped with air spring return.

Available with solenoid operators:
230V/50Hz, 110V/50Hz, 24V/50Hz, 48V=
24V=, 12V=.

Valves are generally equipped with manual override.
If requested without manual override please order
M 510 ____.



MH 510 302

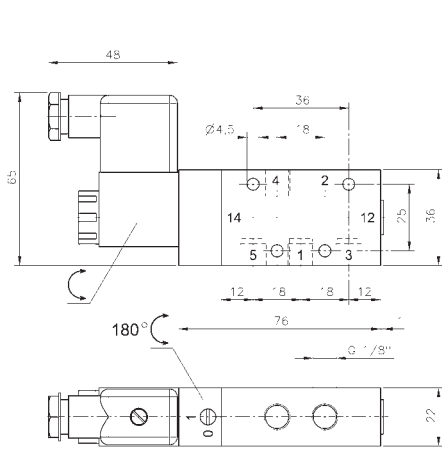


MH 510 502

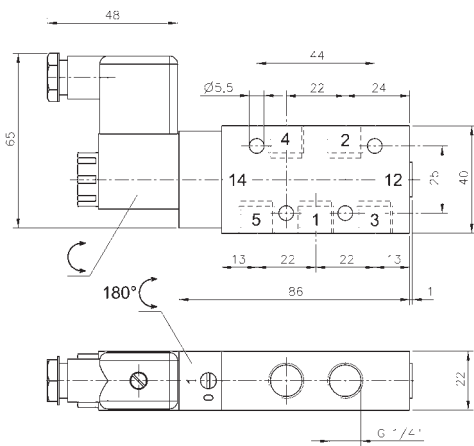
Type	Port size	Air flow	Operating press.	Power consumption	Weight
MH 510 302	M5	180 l/min	2 - 10 bar	3 W = / 5 VA ~	0,19 kg
MH 510 502	G 1/8"	650 l/min	2 - 10 bar	3 W = / 5 VA ~	0,30 kg

MH 510 501/MH 510 701/MH 510 801

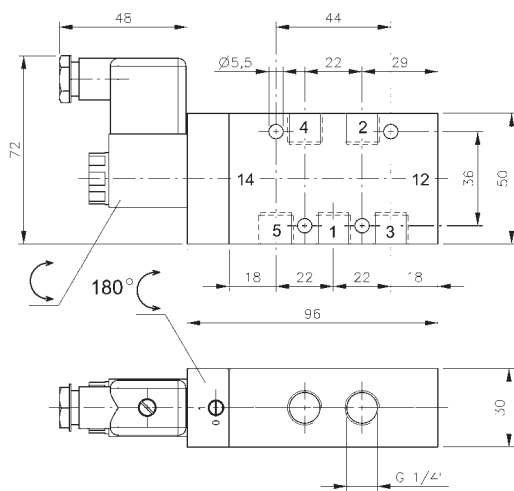
2.5.2.1.3
page 111



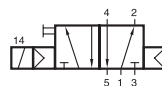
MH 510 501



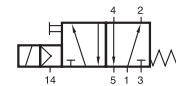
MH 510 701



MH 510 801



MH 510 501
MH 510 701
MH 510 801



MEH 511 501
MEH 511 701
MEH 511 801



5/2-way solenoid valve actuated by permanent signal and equipped with air spring return.

Available with solenoid operators:
230V/50Hz, 110V/50Hz, 24V/50Hz, 48V=,
24V-, 12V=.

Valves are generally equipped with manual override.
If requested without manual override please order
M 510 ____.

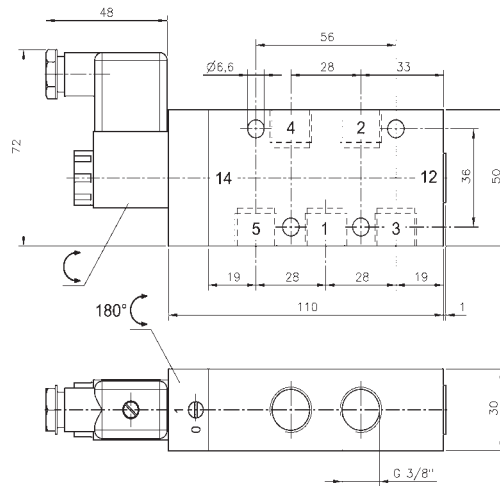
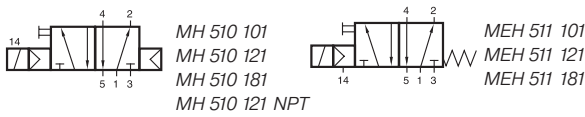
Valves are also available with external pilot feed.
Type: MEH 511 ____.
Port 14 series 501 and 701 M5, series 801 G 1/8".
Minimum actuation pressure: 3 bar.
Operating pressure: 0 - 10 bar.

Version for vacuum on request.

Type	Port size	Air flow	Operating press.	Power consumption	Weight
MH 510 501	G 1/8"	650 l/min	2 - 10 bar	3 W = / 5 VA ~	0,23 kg
MH 510 701	G 1/4"	1250 l/min	2 - 10 bar	3 W = / 5 VA ~	0,25 kg MK
MH 510 801	G 1/4"	1450 l/min	1,5 - 10 bar	3 W = / 5 VA ~	0,48 kg

HAFNER

MH 510 101/MH 510 121/MH 510 181



MH 510 101

5/2-way solenoid valve actuated by permanent signal and equipped with air spring return.

Available with solenoid operators:
230V/50Hz, 110V/50Hz, 24V/50Hz, 48V=,
24V=, 12V=.

Valves are generally equipped with manual override.
If requested without manual override please order
M 510 ____.

Valves are also available with external pilot feed.

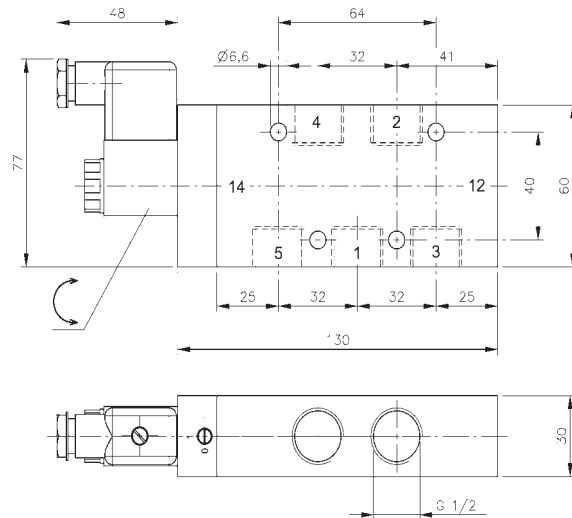
Type: MEH 511 ____.

Port 14: G 1/8".

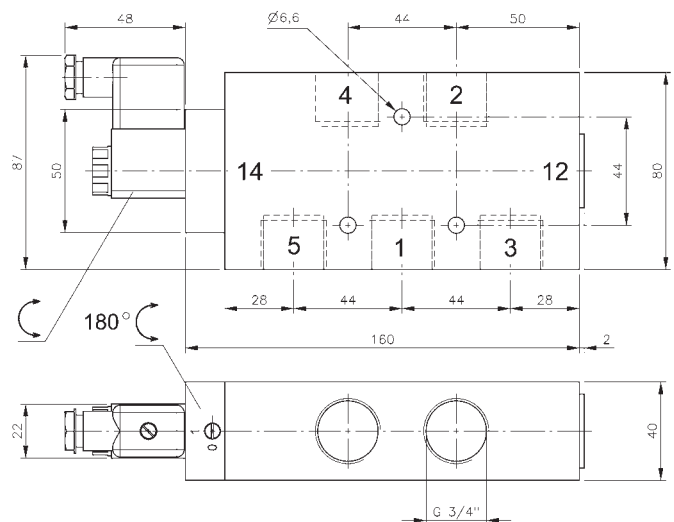
Minimum actuation pressure: 3 bar.

Operating pressure: 0 - 10 bar.

Version for vacuum on request.



MH 510 121/MH 510 121 NPT

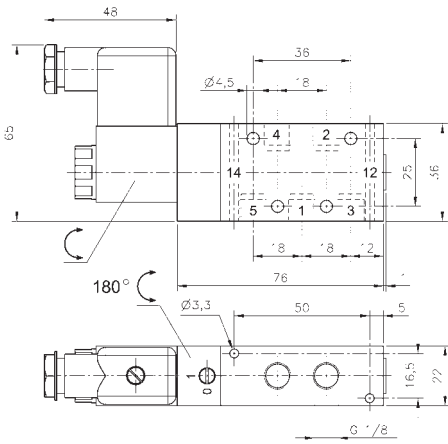
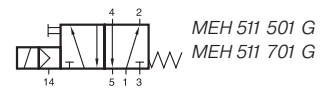
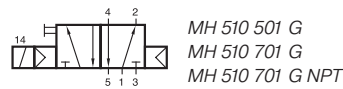


MH 510 181

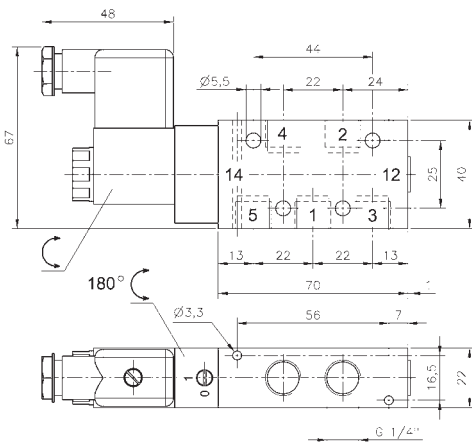
Type	Port size	Air flow	Operating press.	Power consumption	Weight
MH 510 101	G 3/8"	2250 l/min	1,5 - 10 bar	3 W = / 5 VA ~	0,50 kg
MH 510 121	G 1/2"	3000 l/min	1 - 10 bar	3 W = / 5 VA ~	0,67 kg
MH 510 181	G 3/4"	6000 l/min	1 - 10 bar	3 W = / 5 VA ~	1,29 kg
MH 510 121 NPT	1/2" NPT	3000 l/min	1 - 10 bar	3 W = / 5 VA ~	0,67 kg



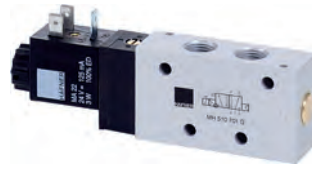
MH 510 501 G/MH 510 701 G



MH 510 501 G



MH 510 701 G/MH 510 701 G NPT



G-Series 501 G/701 G



5/2-way solenoid valve actuated by permanent signal and equipped with air spring return.

The G-Series valves offer the flexibility of in-line fitment as well as the option of being assembled on to a manifold as shown. Manifolds for valves type 501 G are displayed on page 2.7.2.2, manifolds for valves type 701 G are displayed on page 2.7.2.3.

Available with solenoid operators:
230V/50Hz, 110V/50Hz, 24V/50Hz, 48V=,
24V=, 12V=.

Valves are generally equipped with manual override. If requested without manual override please order M 510 ____.

Valves are also available with external pilot feed.

Type: MEH 511 ____ G.

Port 14: M5.

Minimum actuation pressure: 3 bar.

Operating pressure: 0 - 10 bar.

Version for vacuum on request.

Type	Port size	Air flow	Operating press.	Power consumption	Weight
MH 510 501 G	G 1/8"	650 l/min	2 - 10 bar	3 W = / 5 VA ~	0,23 kg
MH 510 701 G	G 1/4"	1250 l/min	2 - 10 bar	3 W = / 5 VA ~	0,25 kg
MH 510 701 G NPT	1/4" NPT	1250 l/min	2 - 10 bar	3 W = / 5 VA ~	0,25 kg



HAFNER

MH 510 101 G/MH 510 121 G



G-Series 101 G



G-Series 121 G



5/2-way solenoid valve actuated by permanent signal and equipped with air spring return.

The G-Series valves offer the flexibility of in-line fitment as well as the option of being assembled on to a manifold as shown. Manifolds for valves type 101 G are displayed on page 2.7.2.4, manifolds for valves type 121 G are displayed on page 2.7.2.5.

Please note:

Valves G1/2" have to be assembled onto the plate by fixing screws from the bottom through the plate into the valve.

Available with solenoid operators:

230V/50Hz, 110V/50Hz, 24V/50Hz, 48V=, 24V=, 12V=.

Valves are generally equipped with manual override.

If requested without manual override please order M 510 ___ G

Valves are also available with external pilot feed.

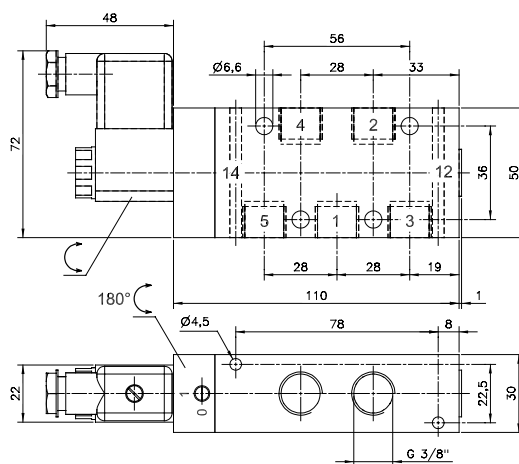
Type: MEH 511 ___ G.

Port 14: G 1/8".

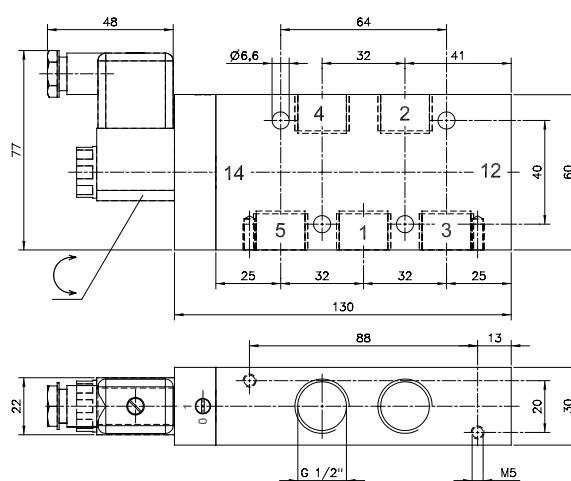
Minimum actuation pressure: 3 bar.

Operating pressure: 0 - 10 bar.

Version for vacuum on request.



MH 510 101 G



MH 510 121 G

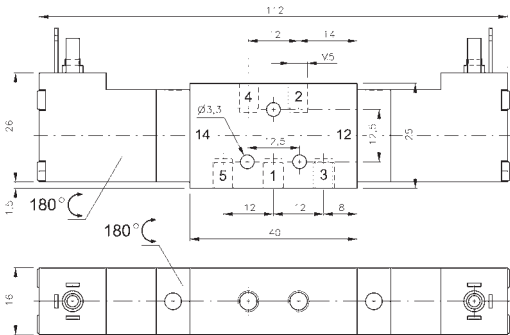
Type	Port size	Air flow	Operating press.	Power consumption	Weight
MH 510 101 G	G 3/8"	2250 l/min	1,5 - 10 bar	3 W = / 5 VA ~	0,52 kg
MH 510 121 G	G 1/2"	3000 l/min	1 - 10 bar	3 W = / 5 VA ~	0,70 kg



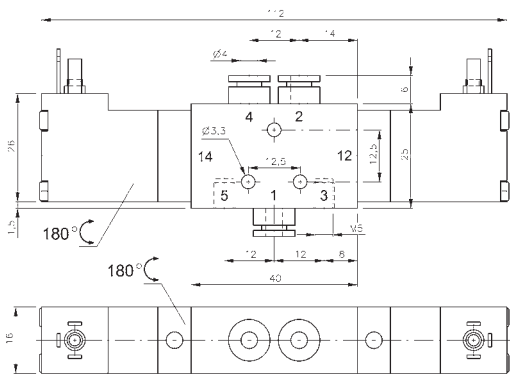
MD 520 301/MD 520 341
MD 520 401/MD 520 461



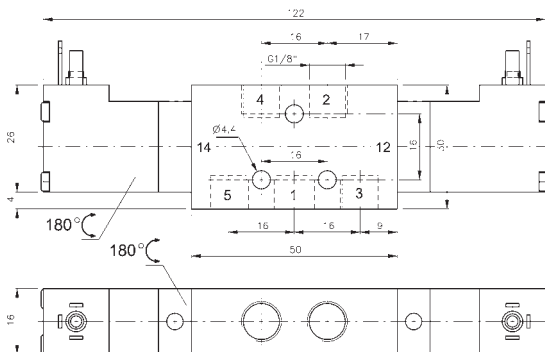
MD 520 301
MD 520 341
MD 520 401
MD 520 461



MD 520 301



MD 520 341



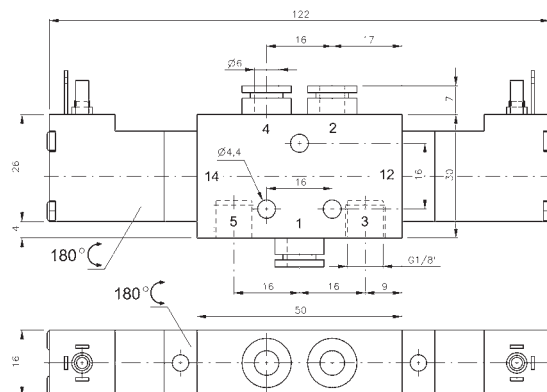
MD 520 401



5/2-way double solenoid valve actuated by impulse. Position is kept until an electrical signal is applied to the opposite side even when not attached to electrical source.

Available with solenoid operators: 230V/50Hz, 110V/50Hz, 24V/50Hz, 24V=, 12V=, 6V= either for connector form C ISO 15217 or with flying leads, standard cable length 500 mm. For details about solenoid system, please refer to page 2.13.1.

Valves are generally equipped with manual override to push.



MD 520 461

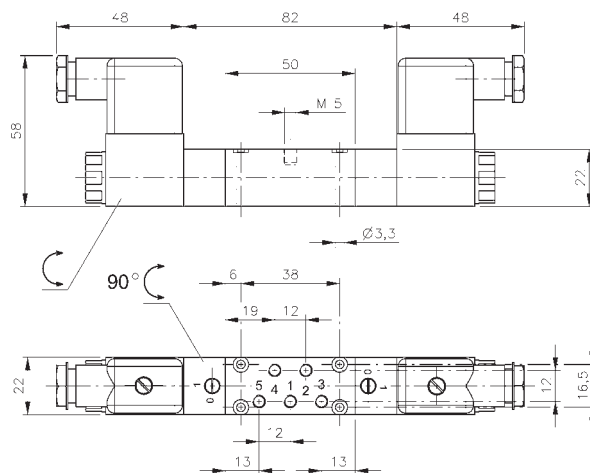
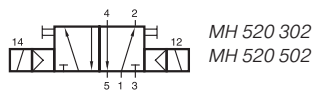
Type	Ports 1, 2, 4	Air flow	Operating press.	Power consumption	Weight
MD 520 301	M5	280 l/min	3 - 10 bar	1,8 W = / 3,0 VA ~	0,13 kg
MD 520 341	pif 4 mm	280 l/min	3 - 10 bar	1,8 W = / 3,0 VA ~	0,14 kg
MD 520 401	G 1/8"	450 l/min	3 - 10 bar	1,8 W = / 3,0 VA ~	0,15 kg
MD 520 461	pif 6 mm	450 l/min	3 - 10 bar	1,8 W = / 3,0 VA ~	0,16 kg



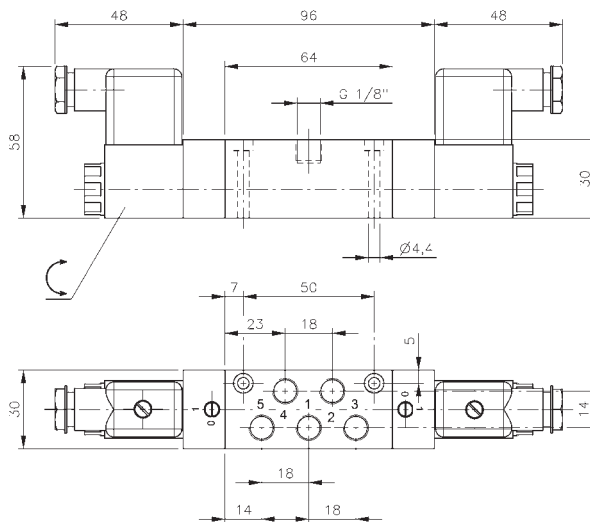
MH 520 302/MH 520 502

2.5.2.1.8

page 116



MH 520 302



MH 520 502

5/2-way double solenoid valve actuated by impulse. Position is kept until an electrical signal is applied to the opposite side even when not attached to electrical source.

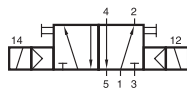
Available with solenoid operators:
230V/50Hz, 110V/50Hz, 24V/50Hz, 48V=,
24V=, 12V=.

Valves are generally equipped with manual override. If requested without manual override please order M 520 ____.

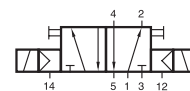
Type	Port size	Air flow	Operating press.	Power consumption	Weight
MH 520 302	M5	180 l/min	2 - 10 bar	3 W = / 5 VA ~	0,30 kg
MH 520 502	G 1/8"	650 l/min	2 - 10 bar	3 W = / 5 VA ~	0,43 kg



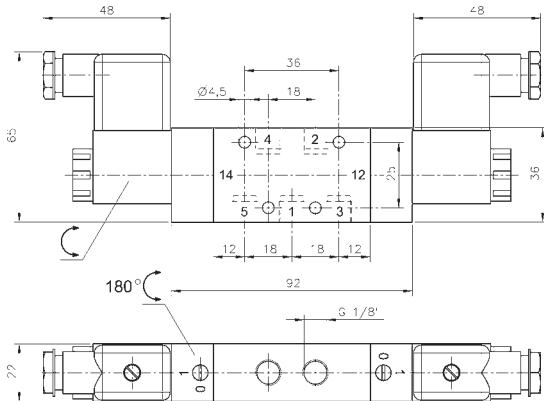
MH 520 501/MH 520 701/MH 520 801



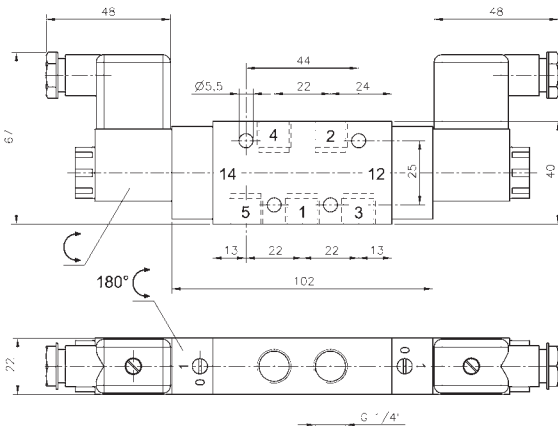
MH 520 501
MH 520 701
MH 520 801



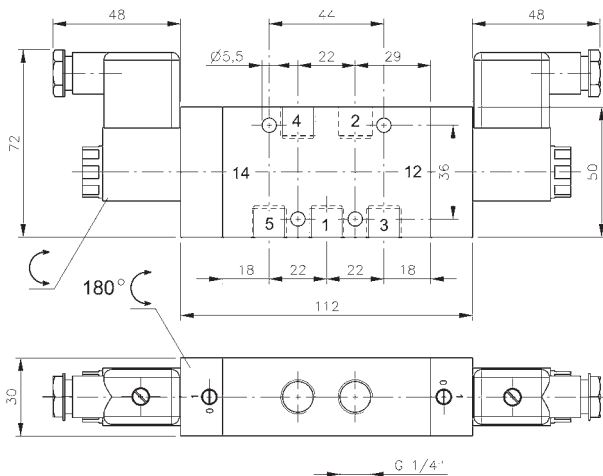
MEH 520 501
MEH 520 701
MEH 520 801



MH 520 501



MH 520 701



MH 520 801



5/2-way double solenoid valve actuated by impulse. Position is kept until an electrical signal is applied to the opposite side even when not attached to electrical source.

Available with solenoid operators:
230V/50Hz, 110V/50Hz, 24V/50Hz, 48V=,
24V=, 12V=.

Valves are generally equipped with manual override. If requested without manual override please order M 520 ____.

Valves are also available with external pilot feed.

Type: MEH 520 ____.

Ports 12 and 14 series 501 and 701: M5,
series 801: G 1/8".

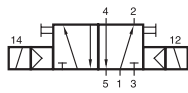
Minimum actuation pressure: 2,5 bar.

Operating pressure: 0 - 10 bar.

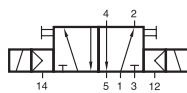
Version for vacuum on request.

Type	Port size	Air flow	Operating press.	Power consumption	Weight
MH 520 501	G 1/8"	650 l/min	2 - 10 bar	3 W = / 5 VA ~	0,33 kg
MH 520 701	G 1/4"	1250 l/min	2 - 10 bar	3 W = / 5 VA ~	0,35 kg MK
MH 520 801	G 1/4"	1450 l/min	1,5 - 10 bar	3 W = / 5 VA ~	0,62 kg

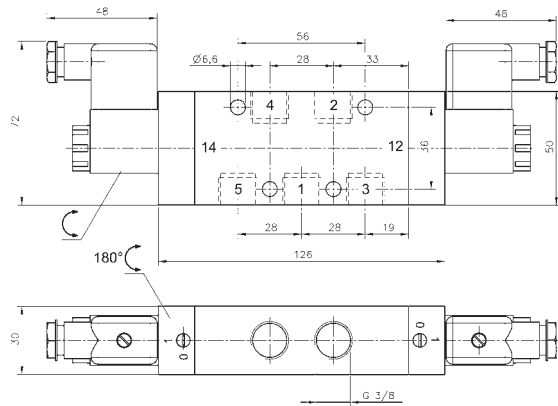
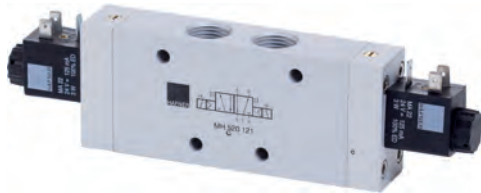
MH 520 101/MH 520 121/MH 520 181



MH 520 101
MH 520 121
MH 520 181
MH 520 121 NPT



MEH 520 101
MEH 520 121
MEH 520 181



MH 520 101

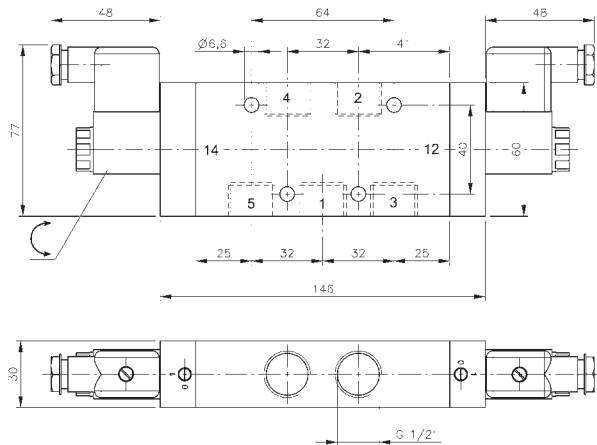
5/2-way double solenoid valve actuated by impulse. Position is kept until an electrical signal is applied to the opposite side even when not attached to electrical source.

Available with solenoid operators:
230V/50Hz, 110V/50Hz, 24V/50Hz, 48V=, 24V=, 12V=.

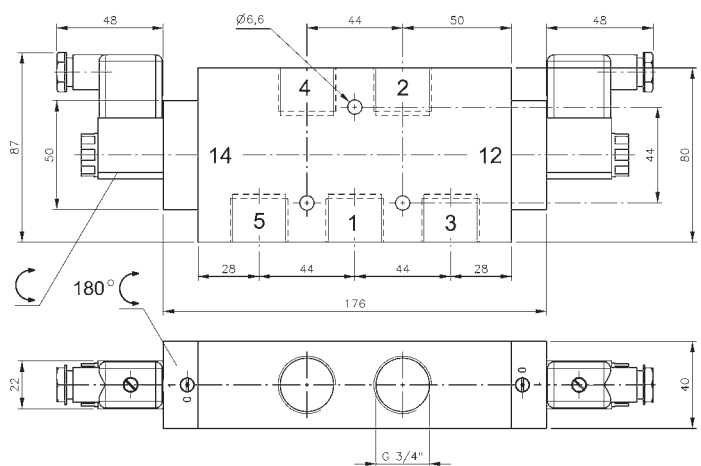
Valves are generally equipped with manual override. If requested without manual override please order M 520 ____.

Valves are also available with external pilot feed.
Type: MEH 520 ____.
Ports 12 and 14: G 1/8".
Minimum actuation pressure: 2,5 bar.
Operating pressure: 0 - 10 bar.

Version for vacuum on request.



MH 520 121/ MH 520 121 NPT

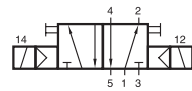


MH 520 181

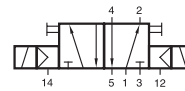
Type	Port size	Air flow	Operating press.	Power consumption	Weight
MH 520 101	G 3/8"	2250 l/min	1,5 - 10 bar	3 W = / 5 VA ~	0,66 kg
MH 520 121	G 1/2"	3000 l/min	1 - 10 bar	3 W = / 5 VA ~	0,84 kg
MH 520 181	G 3/4"	6000 l/min	1 - 10 bar	3 W = / 5 VA ~	1,45 kg
MH 520 121 NPT	1/2" NPT	3000 l/min	1 - 10 bar	3 W = / 5 VA ~	0,84 kg



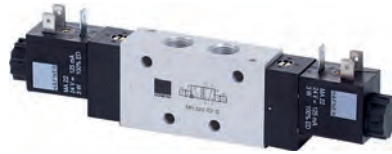
MH 520 501 G/MH 520 701 G



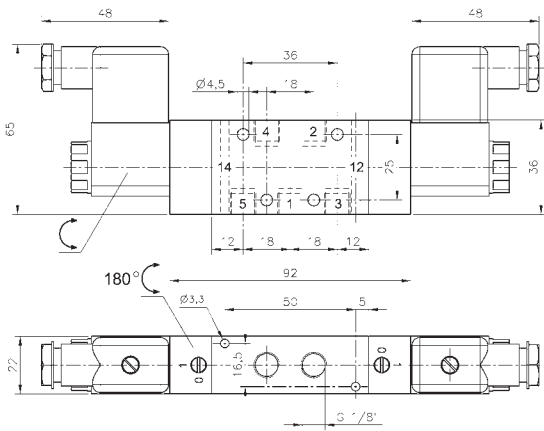
MH 520 501 G
MH 520 701 G



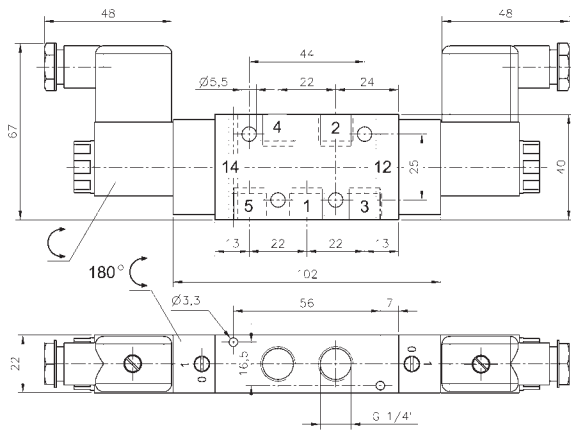
MEH 520 501 G
MEH 520 701 G



G-Series 501 G/701 G



MH 520 501 G



MH 520 701 G/MH 520 701 G NPT

5/2-way double solenoid valve actuated by impulse. Position is kept until an electrical signal is applied to the opposite side even when not attached to electrical source.

The G-Series valves offer the flexibility of in-line fitment as well as the option of being assembled on to a manifold as shown. Manifolds for valves type 501 G are displayed on page 2.7.2.2, manifolds for valves type 701 G are displayed on page 2.7.2.3.

Available with solenoid operators:
230V/50Hz, 110V/50Hz, 24V/50Hz, 48V=
24V=, 12V=.

Valves are generally equipped with manual override. If requested without manual override please order M 520 ____.

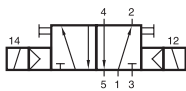
Valves are also available with external pilot feed. Type: MEH 520 ____ G.
Ports 12 and 14: M5.
Minimum actuation pressure: 2,5 bar.
Operating pressure: 0 - 10 bar.

Version for vacuum on request.

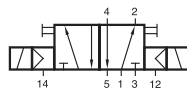
Type	Port size	Air flow	Operating press.	Power consumption	Weight
MH 520 501 G	G 1/8"	650 l/min	2 - 10 bar	3 W = / 5 VA ~	0,33 kg
MH 520 701 G	G 1/4"	1250 l/min	2 - 10 bar	3 W = / 5 VA ~	0,35 kg
MH 520 701 G NPT	1/4" NPT	1250 l/min	2 - 10 bar	3 W = / 5 VA ~	0,35 kg



MH 520 101 G/MH 520 121 G



MH 520 101 G
MH 520 121 G



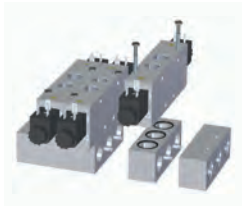
MEH 520 101 G
MEH 520 121 G



G-Series 101 G



G-Series 121 G



5/2-way double solenoid valve actuated by impulse. Position is kept until an electrical signal is applied to the opposite side even when not attached to electrical source.

The G-Series valves offer the flexibility of in-line fitment as well as the option of being assembled onto a manifold as shown. Manifolds for valves type 101 G are displayed on page 2.7.2.4, manifolds for valves type 121 G are displayed on page 2.7.2.5.

Please note: Valves G1/2" have to be assembled onto the plate by fixing screws from the bottom through the plate into the valve.

Available with solenoid operators:
230V/50Hz, 110V/50Hz, 24V/50Hz, 48V=, 24V=, 12V=.

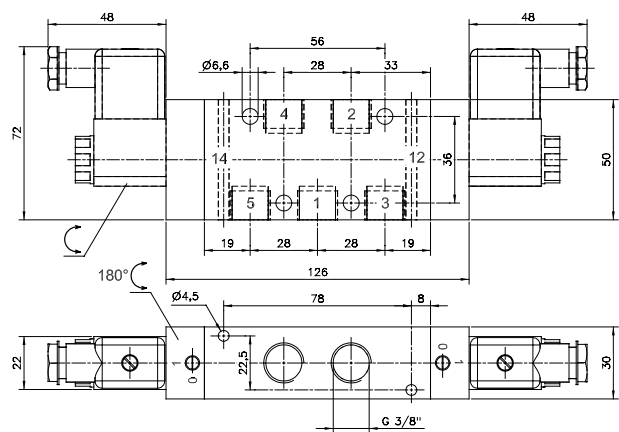
Valves are generally equipped with manual override. If requested without manual override please order M 520 ___ G

Valves are also available with external pilot feed.

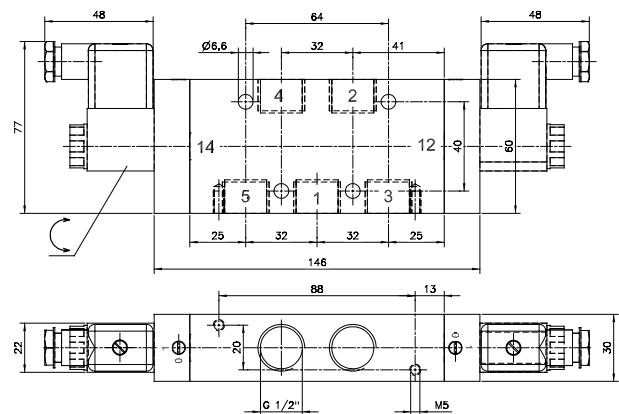
Type: MEH 520 ___ G.
Ports 12 and 14: G 1/8"

Minimum actuation pressure: 2,5 bar.
Operating pressure: 0 - 10 bar.

Version for vacuum on request.



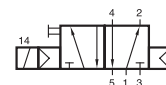
MH 520 101 G



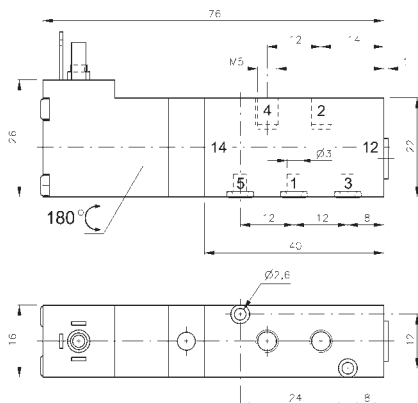
MH 520 121 G

Type	Port size	Air flow	Operating press.	Power consumption	Weight
MH 520 101 G	G 3/8"	2250 l/min	1,5 - 10 bar	3 W = / 5 VA ~	0,66 kg
MH 520 121 G	G 1/2"	3000 l/min	1 - 10 bar	3 W = / 5 VA ~	0,84 kg

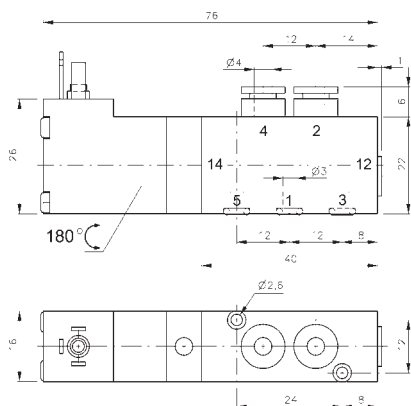
MD 510 303/MD 510 343 MD 510 403/MD 510 463



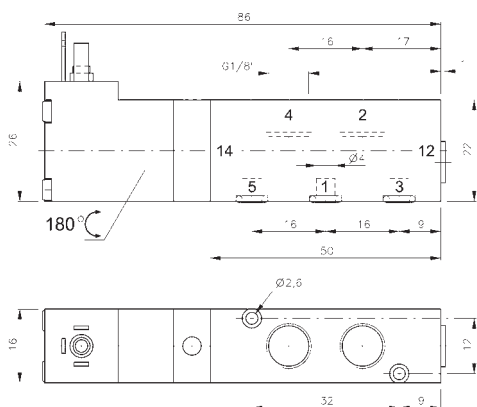
MD 510 303
MD 510 343
MD 510 403
MD 510 463



MD 510 303



MD 510 343



MD 510 403



5/2-way solenoid valve actuated by permanent signal and equipped with air spring return. Ports 2 and 4 are in the valve, ports 1, 3 and 5 in the manifold plate.

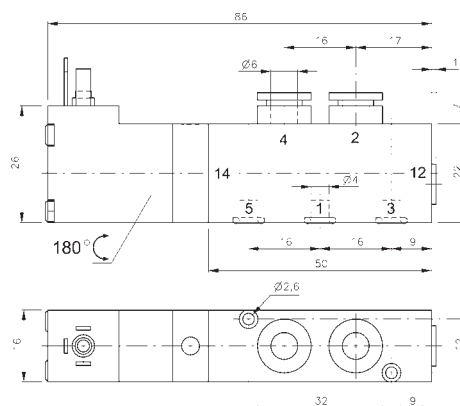
Available with solenoid operators: 230V/50Hz, 110V/50Hz, 24V/50Hz, 24V=, 12V=, 6V= either for connector form C ISO 15217 or with flying leads, standard cable length 500 mm. For details about solenoid system, please refer to page 2.13.1.

Valves are generally equipped with manual override to push.

Manifolds are displayed on page 2.7.2.1.

Blanking plates are also available type BP 5 303 or BP 5 403.

Mounting screws and seals are included.



MD 510 463

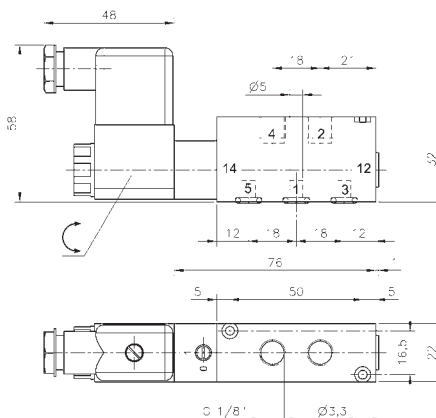
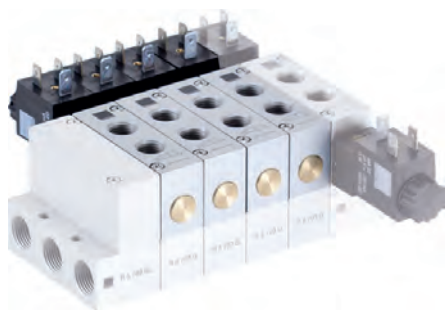
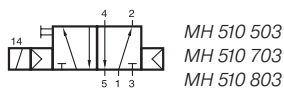
Type	Ports 1, 2, 4	Air flow	Operating press.	Power consumption	Weight
MD 510 303	M5	280 l/min	3 - 10 bar	1,8 W = / 3,0 VA ~	0,09 kg
MD 510 343	pif 4 mm	280 l/min	3 - 10 bar	1,8 W = / 3,0 VA ~	0,10 kg
MD 510 403	G 1/8"	450 l/min	3 - 10 bar	1,8 W = / 3,0 VA ~	0,10 kg
MD 510 463	pif 6 mm	450 l/min	3 - 10 bar	1,8 W = / 3,0 VA ~	0,12 kg



MH 510 503/MH 510 703/MH 510 803

2.5.2.2.2

page 122



MH 510 503

5/2-way solenoid valve actuated by permanent signal and equipped with air spring return. Ports 2 and 4 are in the valve, ports 1, 3 and 5 in the manifold plate.

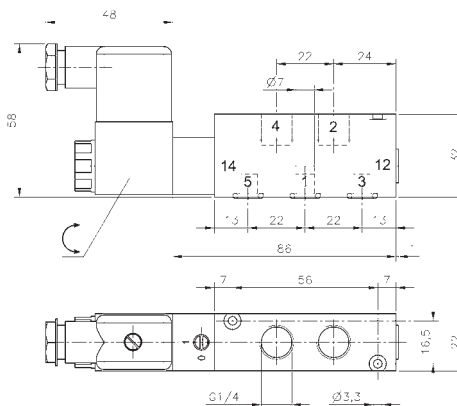
Available with solenoid operators:
230V/50Hz, 110V/50Hz, 24V/50Hz, 48V=,
24V=, 12V=.

Valves are generally equipped with manual override.
If requested without manual override please order
M 510 ____.

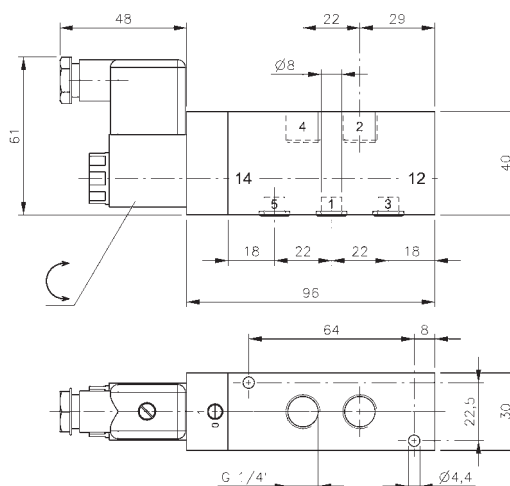
Manifolds for valves type 503 are displayed on
page 2.7.2.2, manifolds for valves type 703 are
displayed on page 2.7.2.3, manifolds for valves
type 803 are displayed on page 2.7.2.5.

Blanking plates are also available type BP 5 503,
BP 5 703 or BP 5 803.

Mounting screws and seals are included.



MH 510 703



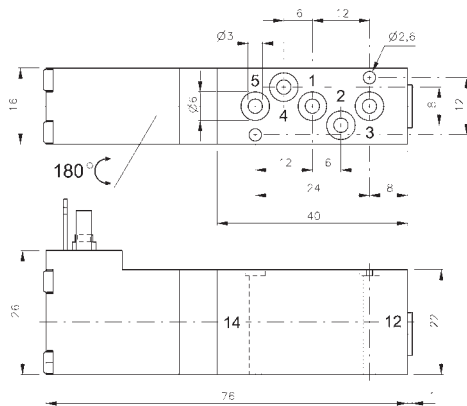
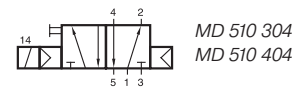
MH 510 803

Type	Ports 2, 4	Air flow	Operating press.	Power consumption	Weight
MH 510 503	G 1/8"	650 l/min	2 - 10 bar	3 W = / 5 VA ~	0,22 kg MK
MH 510 703	G 1/4"	1250 l/min	2 - 10 bar	3 W = / 5 VA ~	0,23 kg MK
MH 510 803	G 1/4"	1450 l/min	1,5 - 10 bar	3 W = / 5 VA ~	0,42 kg

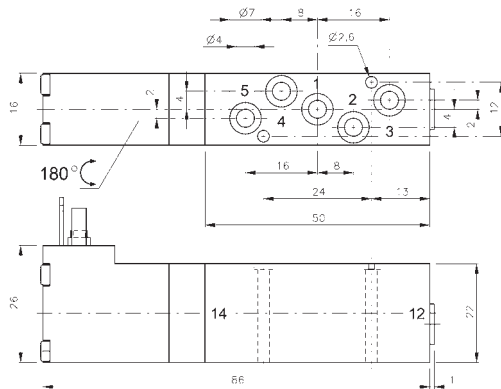


MD 510 304/MD 510 404

2.5.2.2.3
page 123



MD 510 304



MD 510 404



5/2-way solenoid valve actuated by permanent signal and equipped with air spring return. All the ports are in the plate.

Available with solenoid operators:
230V/50Hz, 110V/50Hz, 24V/50Hz, 24V=, 12V=, 6V= either for connector form C ISO 15217 or with flying leads, standard cable length 500 mm. For details about solenoid system, please refer to page 2.13.1.

Valves are generally equipped with manual override to push.

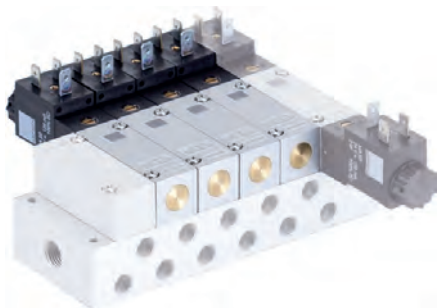
Manifolds are displayed on page 2.7.2.6.

Blanking plates are also available type BP 5 344 or BP 5 464.

Mounting screws and seals are included.

Type	Port size	Air flow	Operating press.	Power consumption	Weight
MD 510 304	Ø 3 mm	280 l/min	3 - 10 bar	1,8 W = / 3,0 VA ~	0,09 kg
MD 510 404	Ø 4 mm	450 l/min	3 - 10 bar	1,8 W = / 3,0 VA ~	0,10 kg

MH 510 304/MH 510 504 MH 510 704/MH 510 104



5/2-way solenoid valve actuated by permanent signal and equipped with air spring return. All the ports are in the plate.

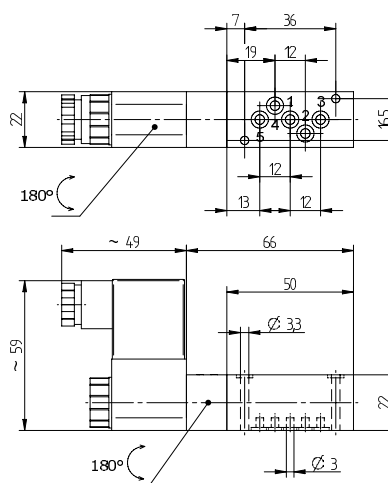
Available with solenoid operators:
230V/50Hz, 110V/50Hz, 24V/50Hz, 48V=
24V=, 12V=.

Valves are generally equipped with manual override.
If requested without manual override please order
M 510 _ _ _ _.

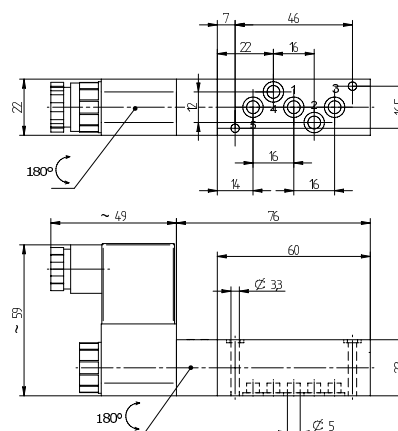
Manifolds for valves type 304 and 504 are displayed
on page 2.7.2.7. Manifolds for valves type 704 are
displayed on page 2.7.2.8 and 2.7.2.9. Manifolds for
valves type 104 are displayed on page 2.7.2.10.

Blanking plates are also available type BP 5 304,
BP 5 504 or BP 5 704.

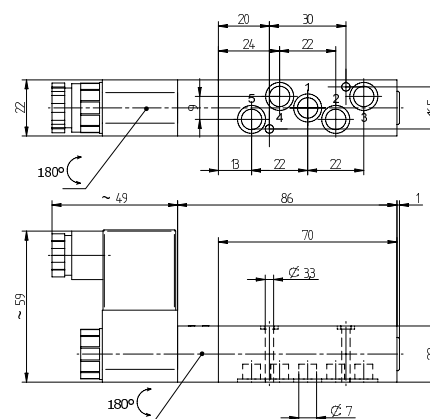
Mounting screws and seals are included.



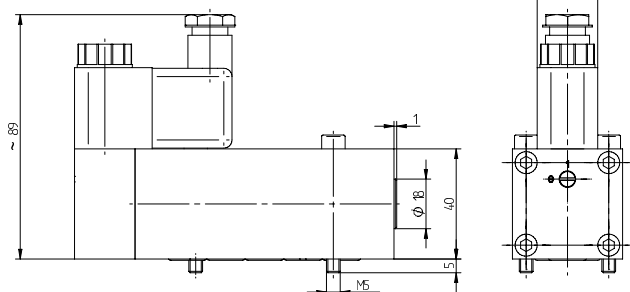
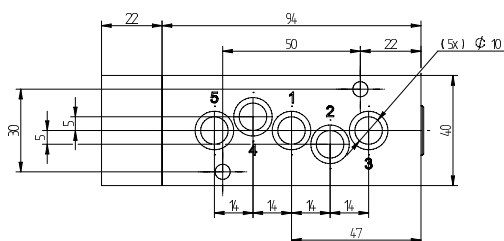
MH 510 304



MH 510 504



MH 510 704

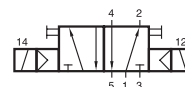


MH 510 104

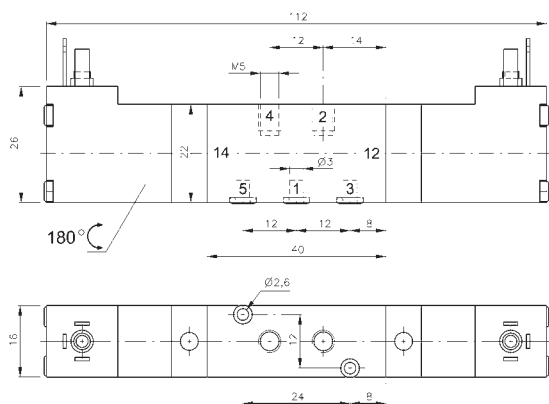
Type	Port size	Air flow	Operating press.	Power cons.	Weight
MH 510 304	Ø 3 mm	220 l/min	2 - 10 bar	3 W = / 5 VA ~	0,18 kg ❄️
MH 510 504	Ø 5 mm	650 l/min	2 - 10 bar	3 W = / 5 VA ~	0,19 kg ⚠️❄️MK
MH 510 704	Ø 7 mm	1250 l/min	2 - 10 bar	3 W = / 5 VA ~	0,20 kg ⚠️❄️MK
MH 510 104	Ø 10 mm	2250 l/min	1 - 10 bar	3 W = / 5 VA ~	0,61 kg



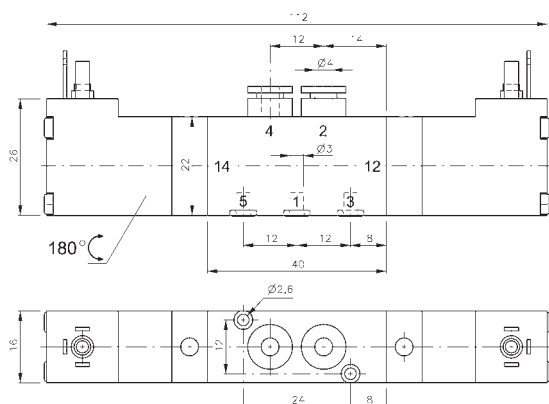
MD 520 303/MD 520 343 MD 520 403/MD 520 463



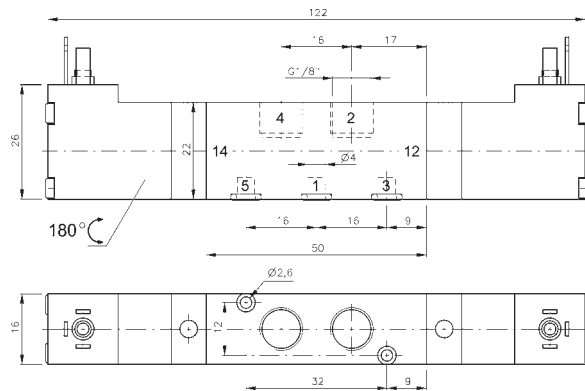
MD 520 303
MD 520 343
MD 520 403
MD 520 463



MD 520 303



MD 520 343



MD 520 403



5/2-way double solenoid valve actuated by impulse. Position is kept until an electrical signal is applied to the opposite side even when not attached to electrical source. Ports 2 and 4 are in the valve, ports 1, 3 and 5 in the manifold plate.

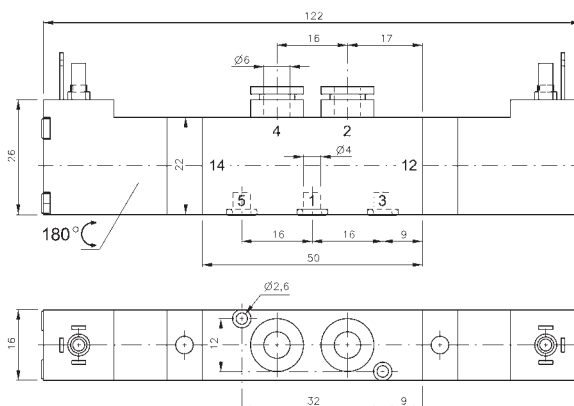
Available with solenoid operators: 230V/50Hz, 110V/50Hz, 24V/50Hz, 24V=, 12V=, 6V= either for connector form C ISO 15217 or with flying leads, standard cable length 500 mm. For details about solenoid system, please refer to page 2.13.1.

Valves are generally equipped with manual override to push.

Manifolds are displayed on page 2.7.2.1.

Blanking plates are also available type BP 5 303 or BP 5 403.

Mounting screws and seals are included.

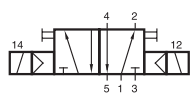


MD 520 463

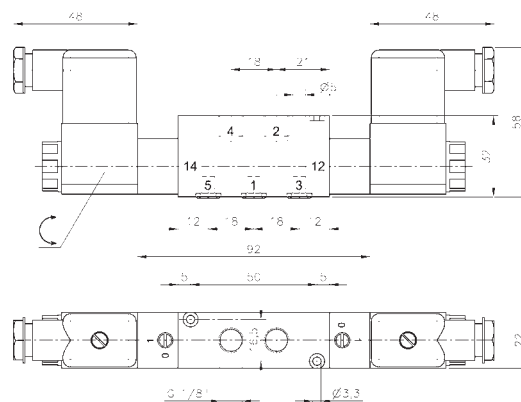
Type	Ports 1, 2, 4	Air flow	Operating press.	Power consumption	Weight
MD 520 303	M5	280 l/min	3 - 10 bar	1,8 W = / 3,0 VA ~	0,13 kg
MD 520 343	pif 4 mm	280 l/min	3 - 10 bar	1,8 W = / 3,0 VA ~	0,14 kg
MD 520 403	G 1/8"	450 l/min	3 - 10 bar	1,8 W = / 3,0 VA ~	0,14 kg
MD 520 463	pif 6 mm	450 l/min	3 - 10 bar	1,8 W = / 3,0 VA ~	0,15 kg



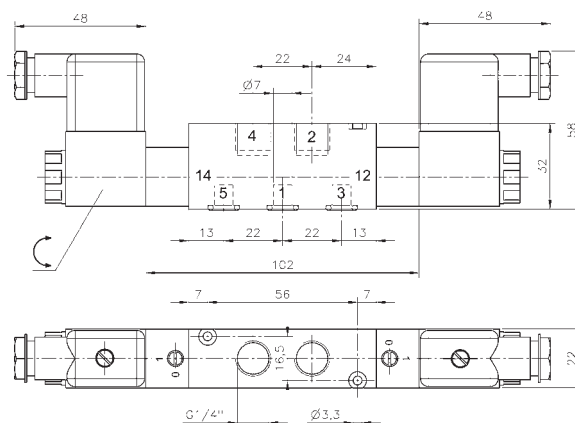
MH 520 503/MH 520 703/MH 520 803



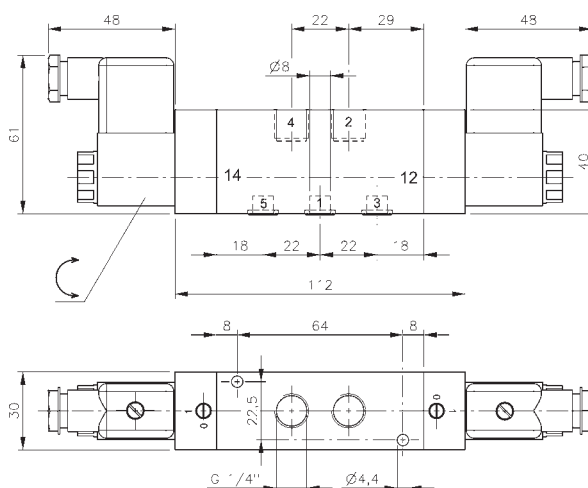
MH 520 503
MH 520 703
MH 520 803



MH 520 503



MH 520 703



MH 520 803

5/2-way double solenoid valve actuated by impulse. Position is kept until an electrical signal is applied to the opposite side even when not attached to electrical source. Ports 2 and 4 are in the valve, ports 1, 3 and 5 in the manifold plate.

Available with solenoid operators:
230V/50Hz, 110V/50Hz, 24V/50Hz, 48V=
24V=, 12V=.

Valves are generally equipped with manual override. If requested without manual override please order M 520 ____.

Manifolds for valves type 503 are displayed on page 2.7.2.2, manifolds for valves type 703 are displayed on page 2.7.2.3, manifolds for valves type 803 are displayed on page 2.7.2.5.

Blanking plates are also available type BP 5 503, BP 5 703 or BP 5 803.

Mounting screws and seals are included.

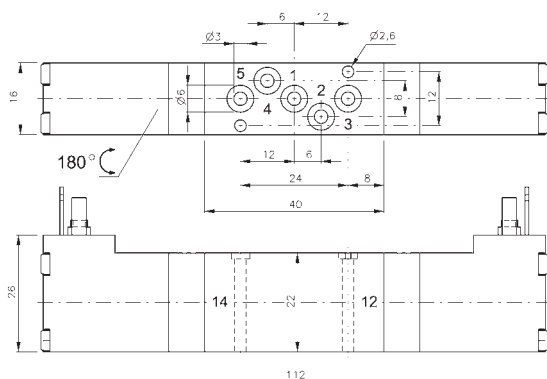
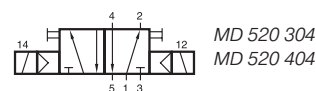
Type	Ports 2, 4	Air flow	Operating press.	Power consumption	Weight
MH 520 503	G 1/8"	650 l/min	2 - 10 bar	3 W = / 5 VA ~	0,31 kg MK
MH 520 703	G 1/4"	1250 l/min	2 - 10 bar	3 W = / 5 VA ~	0,33 kg MK
MH 520 803	G 1/4"	1450 l/min	1,5 - 10 bar	3 W = / 5 VA ~	0,56 kg



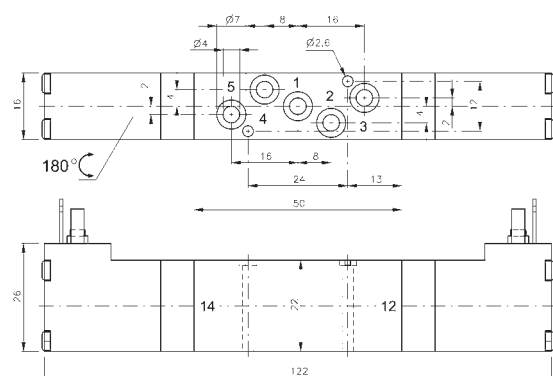
MD 520 304/MD 520 404

2.5.2.2.7

page 127



MD 520 304



MD 520 404



5/2-way double solenoid valve actuated by impulse. Position is kept until an electrical signal is applied to the opposite side even when not attached to electrical source. All the ports are in the plate.

Available with solenoid operators:
230V/50Hz, 110V/50Hz, 24V/50Hz, 24V=
12V=
6V= either for connector form C ISO 15217 or with flying leads, standard cable length 500 mm. For details about solenoid system, please refer to page 2.13.1.

Valves are generally equipped with manual override to push.

Manifolds are displayed on page 2.7.2.6.

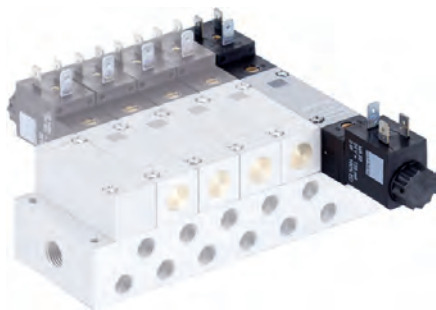
Blanking plates are also available type BP 5 344 or BP 5 464.

Mounting screws and seals are included.

Type	Port size	Air flow	Operating press.	Power consumption	Weight
MD 520 304	$\varnothing 3$ mm	280 l/min	3 - 10 bar	1,8 W = / 3,0 VA ~	0,13 kg
MD 520 404	$\varnothing 4$ mm	450 l/min	3 - 10 bar	1,8 W = / 3,0 VA ~	0,14 kg

HAFNER

MH 520 304/MH 520 504 MH 520 704/MH 520 104



5/2-way double solenoid valve actuated by impulse. Position is kept until an electrical signal is applied to the opposite side even when not attached to electrical source. All the ports are in the plate.

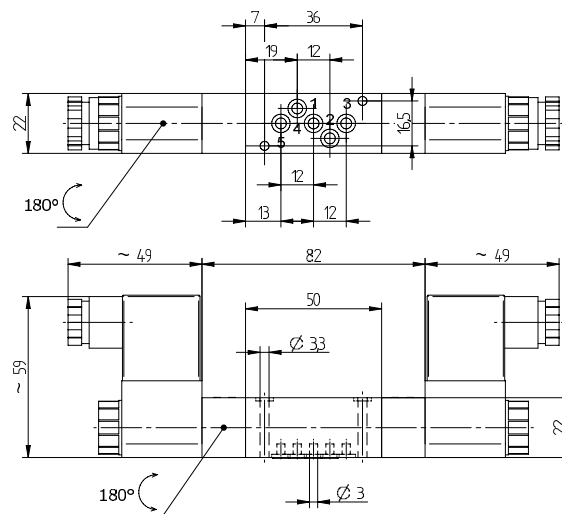
Available with solenoid operators:
230V/50Hz, 110V/50Hz, 24V/50Hz, 48V=,
24V~, 12V=.

Valves are generally equipped with manual override. If requested without manual override please order M 520 _ _ _ _.

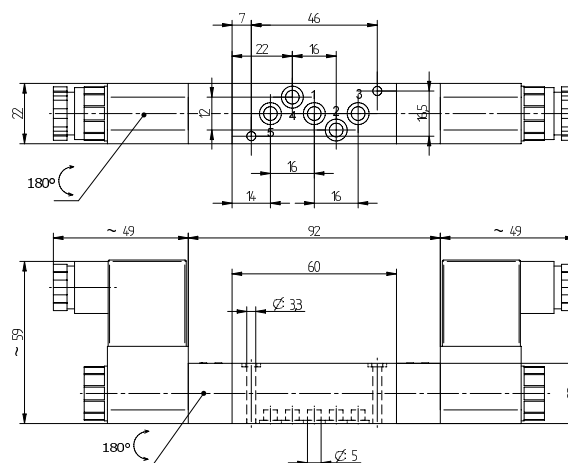
Manifolds for valves type 304 and 504 are displayed on page 2.7.2.7. Manifolds for valves type 704 are displayed on page 2.7.2.8 and 2.7.2.9. Manifolds for valves type 104 are displayed on page 2.7.2.10.

Blanking plates are also available type BP 5 304, BP 5 504 or BP 5 704.

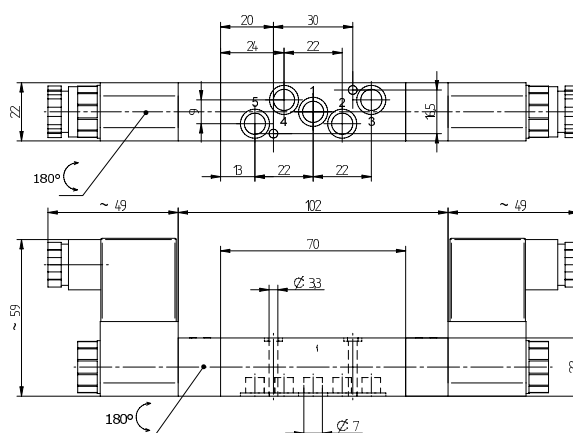
Mounting screws and seals are included.



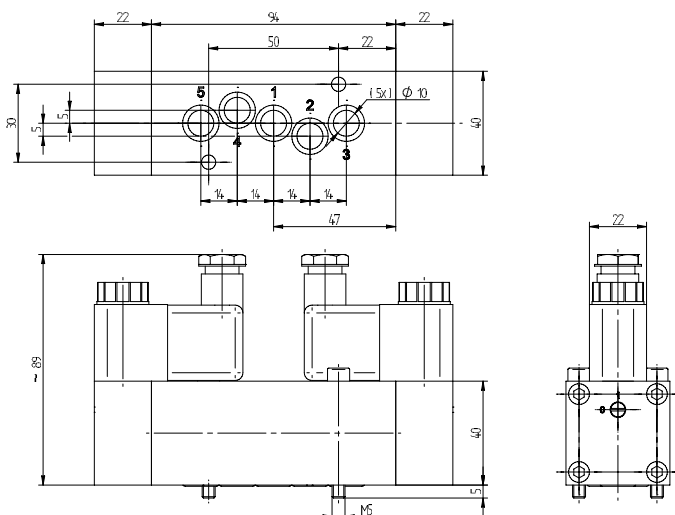
MH 520 304



MH 520 504



MH 520 704

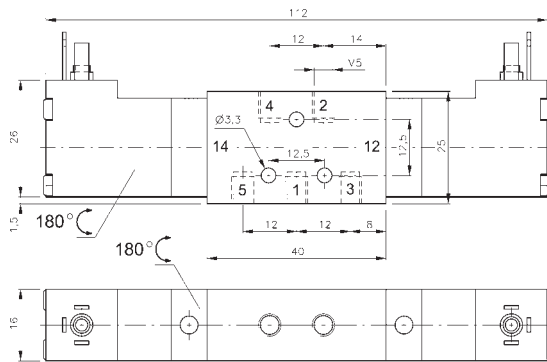
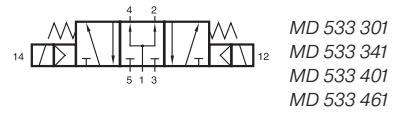
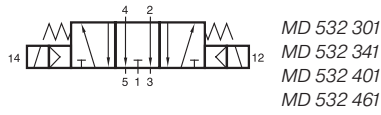
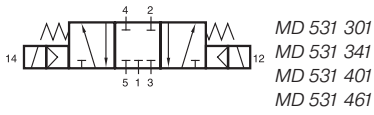


MH 520 104

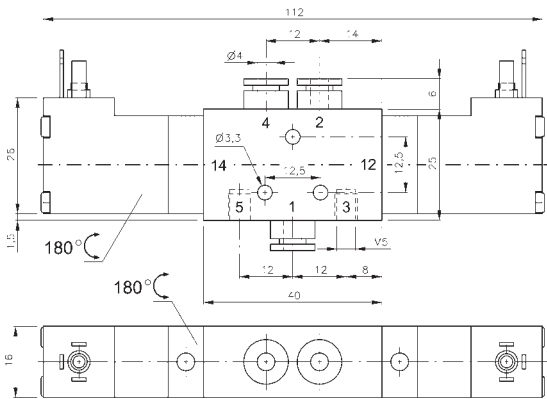
Type	Port size	Air flow	Operating press.	Power consumption	Weight
MH 520 304	Ø 3 mm	220 l/min	2 - 10 bar	3 W = / 5 VA ~	0,25 kg ❄️
MH 520 504	Ø 5 mm	650 l/min	2 - 10 bar	3 W = / 5 VA ~	0,27 kg ⚠️❄️MK
MH 520 704	Ø 7 mm	1250 l/min	2 - 10 bar	3 W = / 5 VA ~	0,29 kg ⚠️❄️MK
MH 520 104	Ø 10 mm	2250 l/min	1 - 10 bar	3 W = / 5 VA ~	0,80 kg



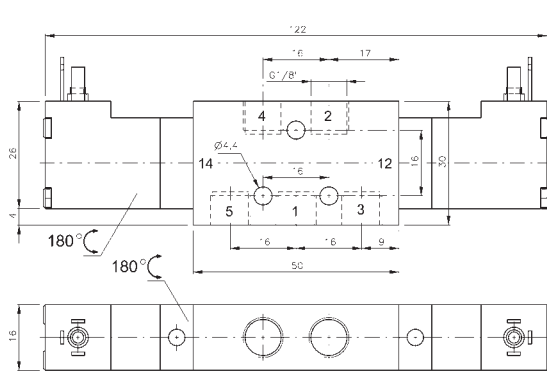
MD 53_ 301/MD 53_ 341 MD 53_ 401/MD 53_ 461



MD 53_301



MD 53_341



MD 53_401



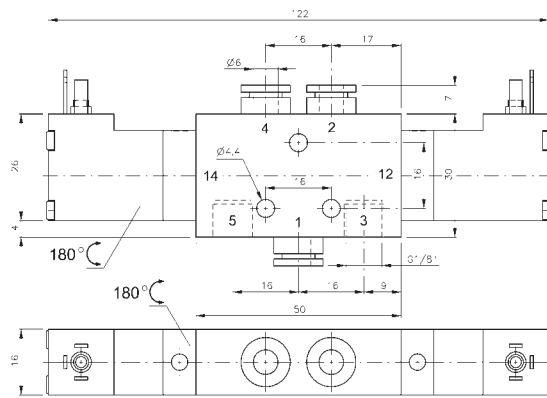
5/3-way solenoid valve with spring return to middle position, actuated by permanent signal.

- Type 531 centre closed
- Type 532 centre exhausted
- Type 533 centre pressurised

When ordering please complete the type number by 1, 2 or 3 according to the type required.

Available with solenoid operators:
230V/50Hz, 110V/50Hz, 24V/50Hz, 24V=, 6V=
either for connector form C ISO 15217 or with flying leads, standard cable length 500 mm. For details about solenoid system, please refer to page 2.13.1.

Valves are generally equipped with manual override to push.

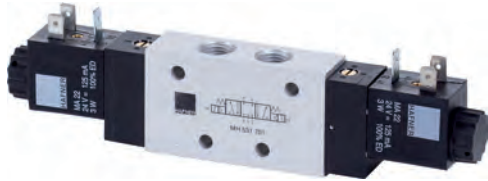
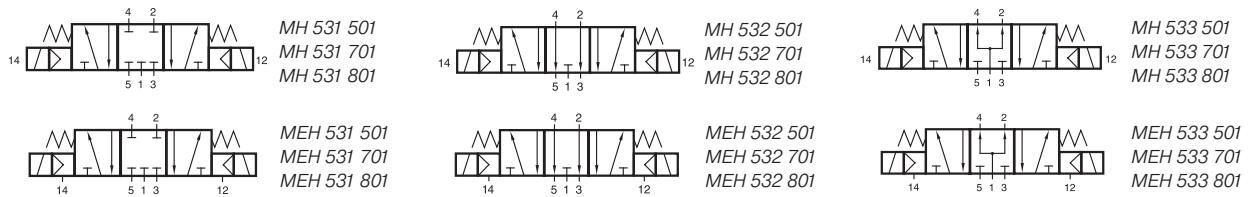


MD 53_461

Type	Ports 1, 2, 4	Air flow	Operating press.	Power consumption	Weight
MD 53_301	M5	280 l/min	3 - 10 bar	1,8 W = / 3,0 VA ~	0,13 kg
MD 53_341	pif 4 mm	280 l/min	3 - 10 bar	1,8 W = / 3,0 VA ~	0,14 kg
MD 53_401	G 1/8"	450 l/min	3 - 10 bar	1,8 W = / 3,0 VA ~	0,15 kg
MD 53_461	pif 6 mm	450 l/min	3 - 10 bar	1,8 W = / 3,0 VA ~	0,16 kg



MH 53_ 501/MH 53_ 701/MH 53_ 801



5/3-way solenoid valve with spring return to middle position, actuated by permanent signal.

- Type 531 centre closed
- Type 532 centre exhausted
- Type 533 centre pressurised

When ordering please complete the type number by 1, 2 or 3 according to the type required.

Available with solenoid operators:
230V/50Hz, 110V/50Hz, 24V/50Hz, 48V=
24V =, 12V=.

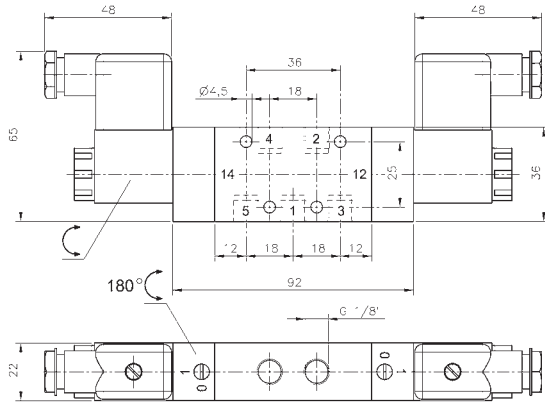
Valves are generally equipped with manual override.
If requested without manual override please order M 53_ _ _ _.

Valves are also available with external pilot feed.
Type: MEH 53_ _ _ _ (please add 1 digit for type and 3 digits for size).

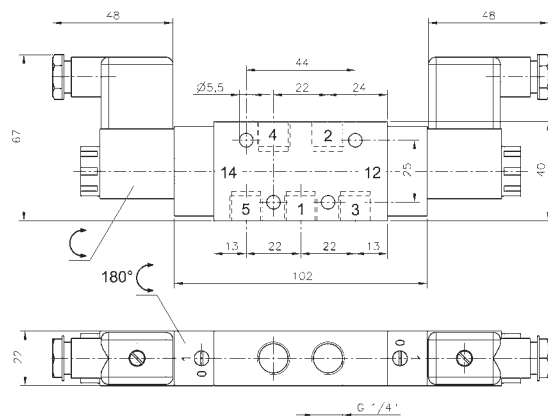
Ports 12 and 14 series 501 and 701: M5,
series 801: G 1/8".

Minimum actuation pressure: 3 bar.
Operating pressure: 0-10 bar.

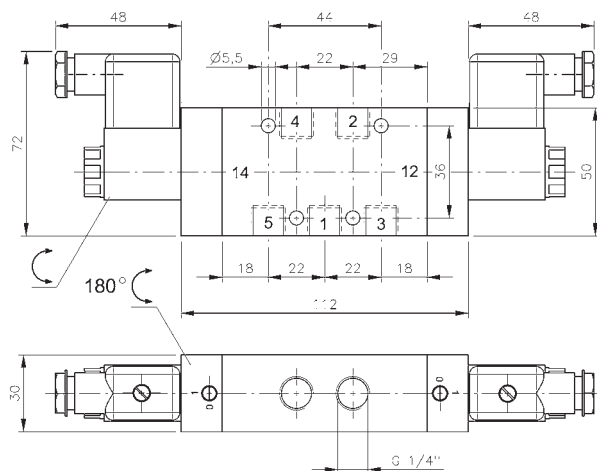
Version for vacuum on request.



MH 53_ 501



MH 53_ 701

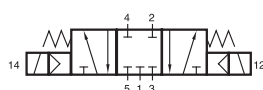


MH 53_ 801

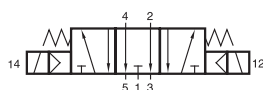
Type	Port size	Air flow	Operating press.	Power consumption	Weight
MH 53_ 501	G 1/8"	650 l/min	3 - 10 bar	3 W = / 5 VA ~	0,33 kg
MH 53_ 701	G 1/4"	1250 l/min	3 - 10 bar	3 W = / 5 VA ~	0,35 kg MK
MH 53_ 801	G 1/4"	1450 l/min	3 - 10 bar	3 W = / 5 VA ~	0,62 kg



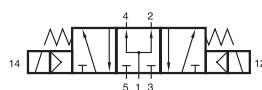
MH 53_ 101/MH 53_ 121/MH 53_ 181



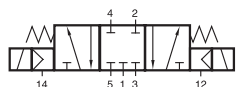
MH 531 101
MH 531 121
MH 531 181
MH 531 121 NPT



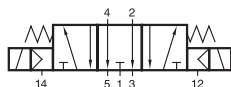
MH 532 101
MH 532 121
MH 532 181
MH 532 121 NPT



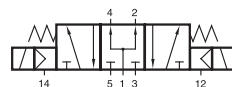
MH 533 101
MH 533 121
MH 533 181
MH 533 121 NPT



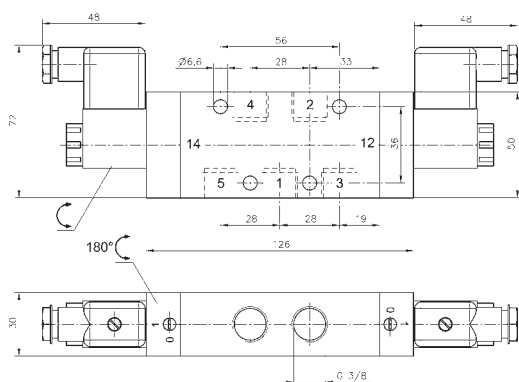
MEH 531 101
MEH 531 121
MEH 531 181



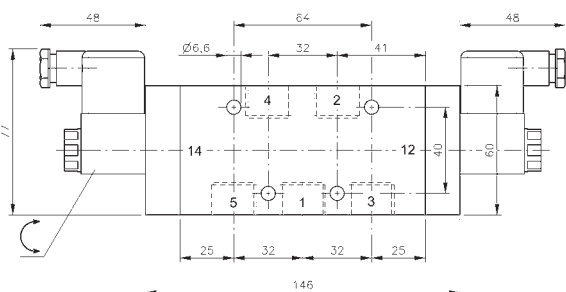
MEH 532 101
MEH 532 121
MEH 532 181



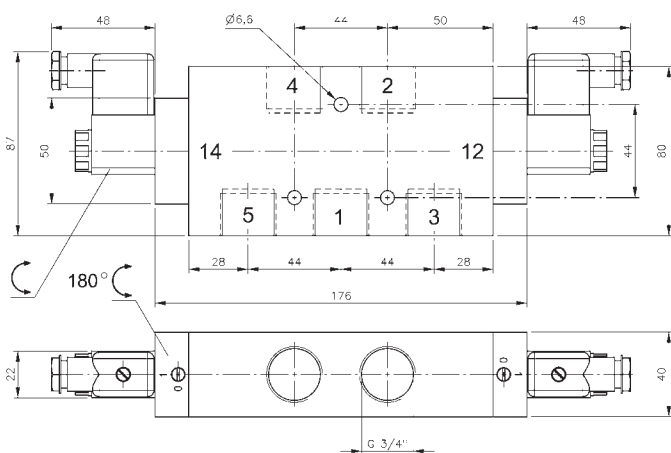
MEH 533 101
MEH 533 121
MEH 533 181



MH 53_101



MH 53_121/MH 53_121 NPT



MH 53_181



5/3-way solenoid valve with spring return to middle position, actuated by permanent signal.

- Type 531 centre closed
- Type 532 centre exhausted
- Type 533 centre pressurised

When ordering please complete the type number by 1, 2 or 3 according to the type required.

Available with solenoid operators:
230V/50Hz, 110V/50Hz, 24V/50Hz, 48V=, 24V=, 12V=.

Valves are generally equipped with manual override. If requested without manual override please order M 53_ ____.

Valves are also available with external pilot feed. Type: MEH 53_ ____ (please add 1 digit for type and 3 digits for size).

Ports 12 and 14: G 1/8".

Minimum actuation pressure: 3 bar.

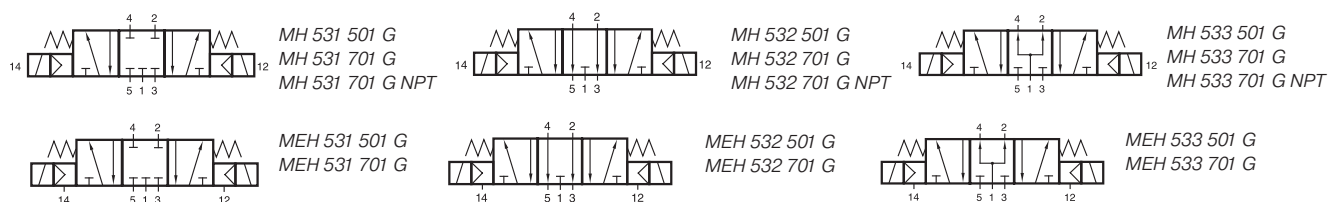
Operating pressure: 0-10 bar.

Version for vacuum on request.

Type	Port size	Air flow	Operating press.	Power consumption	Weight
MH 53_ 101	G 3/8"	2250 l/min	1,5 - 10 bar	3 W = / 5 VA ~	0,66 kg
MH 53_ 121	G 1/2"	3000 l/min	1 - 10 bar	3 W = / 5 VA ~	0,84 kg
MH 53_ 181	G 3/4"	6000 l/min	1 - 10 bar	3 W = / 5 VA ~	1,45 kg
MH 53_ 121 NPT	1/2" NPT	3000 l/min	1 - 10 bar	3 W = / 5 VA ~	0,84 kg



MH 53_ 501 G/MH 53_ 701 G



G-Series 501 G/701 G



5/3-way solenoid valve with spring return to middle position, actuated by permanent signal.

- Type 531 centre closed
- Type 532 centre exhausted
- Type 533 centre pressurised

When ordering please complete the type number by 1, 2 or 3 according to the type required.

The G-Series valves offer the flexibility of in-line fitment as well as the option of being assembled on to a manifold as shown. Manifolds for valves type 501 G are displayed on page 2.7.2.2, manifolds for valves type 701 G are displayed on page 2.7.2.3.

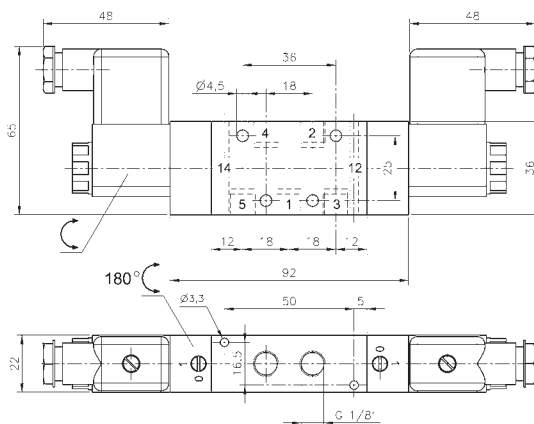
Available with solenoid operators:
230V/50Hz, 110V/50Hz, 24V/50Hz, 48V=, 24V=, 12V=.

Valves are generally equipped with manual override. If requested without manual override please order M 53_ _ _ G.

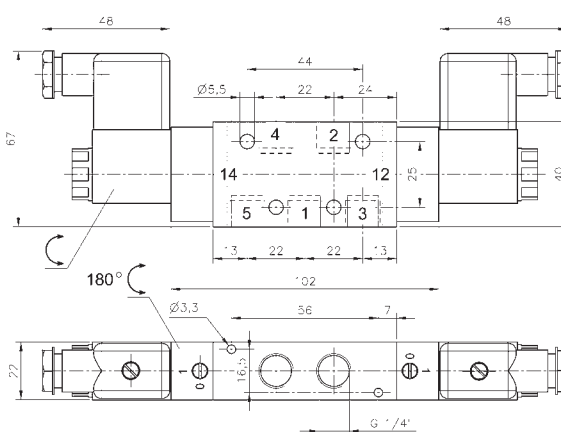
Valves are also available with external pilot feed.
Type: MEH 53 _ _ _ G (please add 1 digit for type and 3 digits for size).

Ports 12 and 14: M5.
Minimum actuation pressure: 3 bar.
Operating pressure: 0-10 bar.

Version for vacuum on request.



MH 53_ 501 G

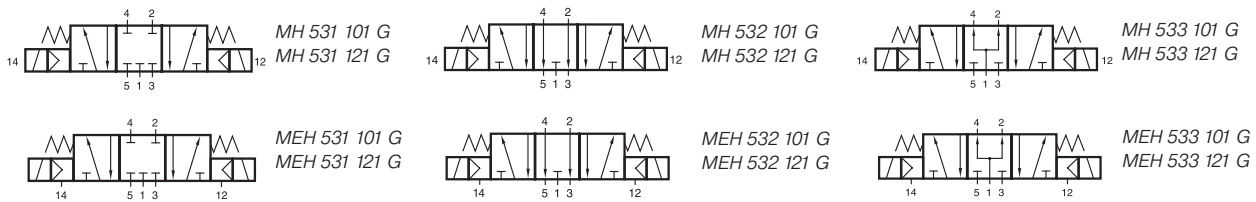


MH 53_ 701 G/MH 53_ 701 G NPT

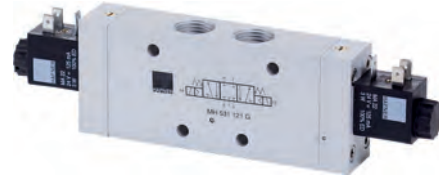
Type	Port size	Air flow	Operating press.	Power consumption	Weight
MH 53_ 501 G	G 1/8"	650 l/min	3 - 10 bar	3 W = / 5 VA ~	0,33 kg
MH 53_ 701 G	G 1/4"	1250 l/min	3 - 10 bar	3 W = / 5 VA ~	0,35 kg
MH 53_ 701 G NPT	1/4" NPT	1250 l/min	3 - 10 bar	3 W = / 5 VA ~	0,35 kg



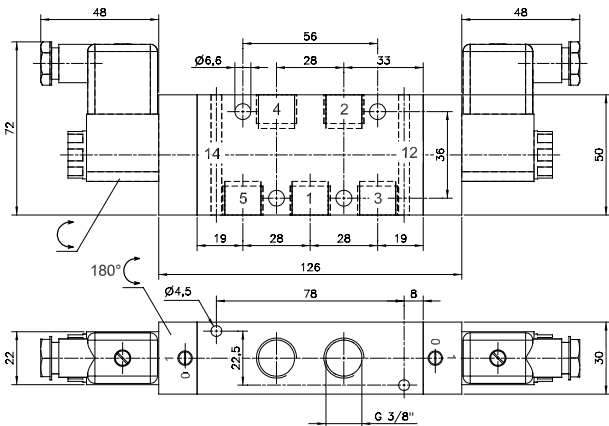
MH 53_ 101 G/MH 53_121 G



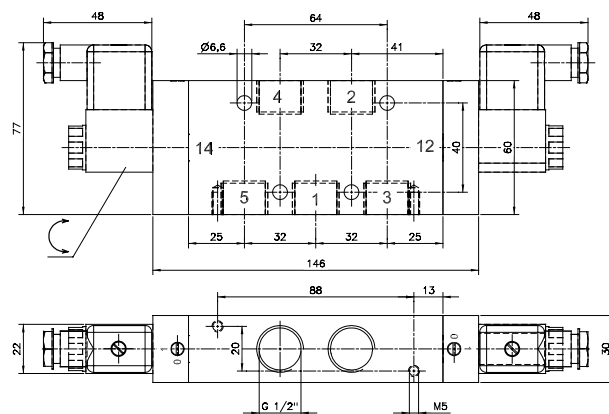
G-Series 101 G



G-Series 121 G



MH 53_ 101 G



MH 53_121 G

5/3-way solenoid valve with spring return to middle position, actuated by permanent signal.

- Type 531 centre closed
- Type 532 centre exhausted
- Type 533 centre pressurised

When ordering please complete the type number by 1, 2 or 3 according to the type required.

The G-Series valves offer the flexibility of in-line fitment as well as the option of being assembled on to a manifold as shown. Manifolds for valves type 101 G are displayed on page 2.7.2.4, manifolds for valves type 121 G are displayed on page 2.7.2.5.

Available with solenoid operators:
230V/50Hz, 110V/50Hz, 24V/50Hz, 48V=,
24V~, 12V~.

Valves are generally equipped with manual override. If requested without manual override please order M 53_ ___ G.

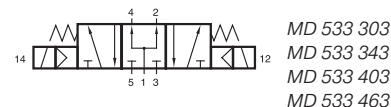
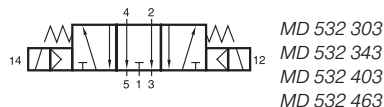
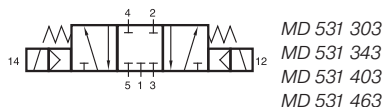
Valves are also available with external pilot feed. Type: MEH 53 ___ G (please add 1 digit for type and 3 digits for size).

Ports 12 and 14: G 1/8".
Minimum actuation pressure: 3 bar.
Operating pressure: 0-10 bar.

Version for vacuum on request.

Type	Port size	Air flow	Operating press.	Power consumption	Weight
MH 53_ 101 G	G 3/8"	2250 l/min	1,5 - 10 bar	3 W = / 5 VA ~	0,66 kg
MH 53_ 121 G	G 1/2"	3000 l/min	1 - 10 bar	3 W = / 5 VA ~	0,84 kg

MD 53_303/MD 53_343 MD 53_403/MD 53_463



5/3-way solenoid valve with spring return to middle position, actuated by permanent signal. Ports 2 and 4 are in the valve, ports 1, 3 and 5 in the manifold plate.

- Type 531 centre closed
- Type 532 centre exhausted
- Type 533 centre pressurised

When ordering please complete the type number by 1, 2 or 3 according to the type required.

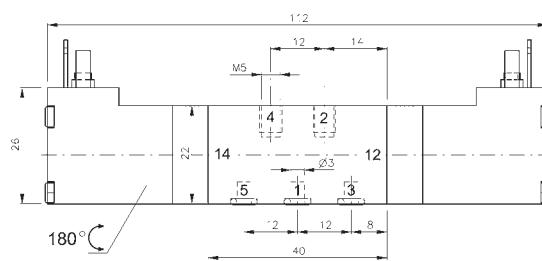
Available with solenoid operators:
230V/50Hz, 110V/50Hz, 24V/50Hz, 24V=,
12V=, 6V= either for connector form C ISO 15217
or with flying leads, standard cable length 500 mm.
For details about solenoid system, please refer to page 2.13.1.

Valves are generally equipped with manual override to push.

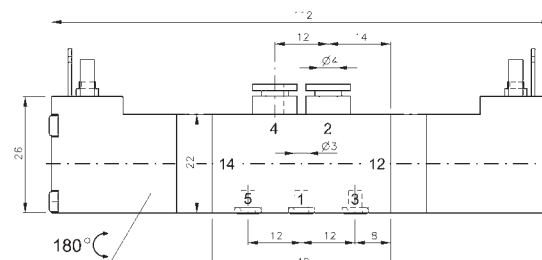
Manifolds are described on page 2.7.2.1.

Blanking plates are also available type BP 5 303 or BP 5 403.

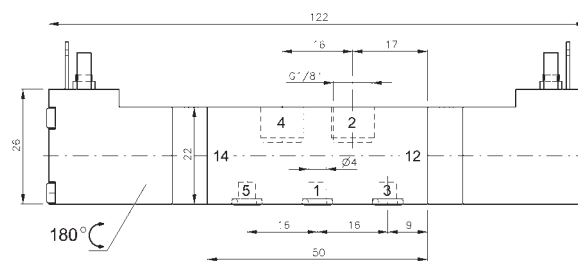
Mounting screws and seals are included.



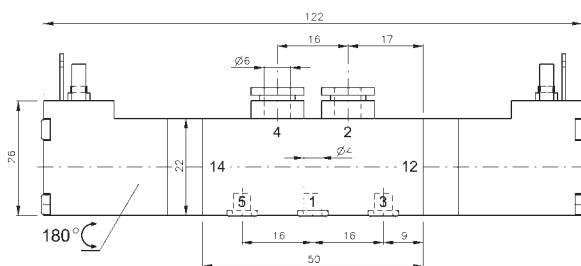
MD 53_303



MD 53_343



MD 53_403

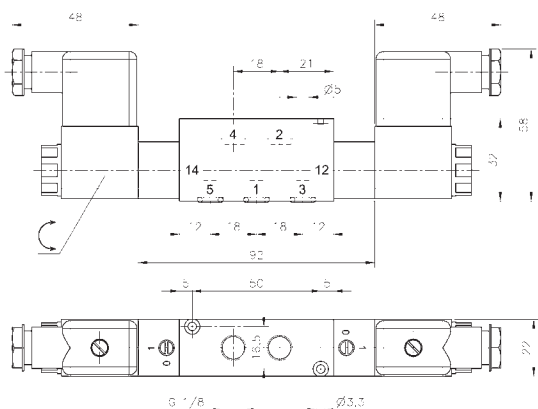
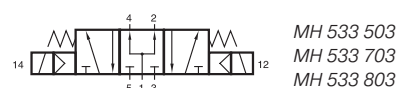
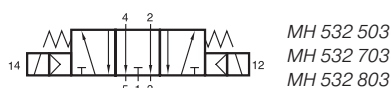
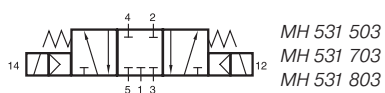


MD 53_463

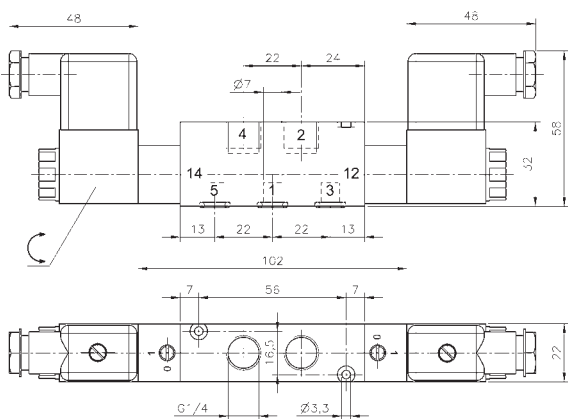
Type	Ports 1, 2, 4	Air flow	Operating press.	Power consumption	Weight
MD 53_303	M5	280 l/min	3 - 10 bar	1,8 W = / 3,0 VA ~	0,13 kg
MD 53_343	pif 4 mm	280 l/min	3 - 10 bar	1,8 W = / 3,0 VA ~	0,14 kg
MD 53_403	G 1/8"	450 l/min	3 - 10 bar	1,8 W = / 3,0 VA ~	0,14 kg
MD 53_463	pif 6 mm	450 l/min	3 - 10 bar	1,8 W = / 3,0 VA ~	0,15 kg



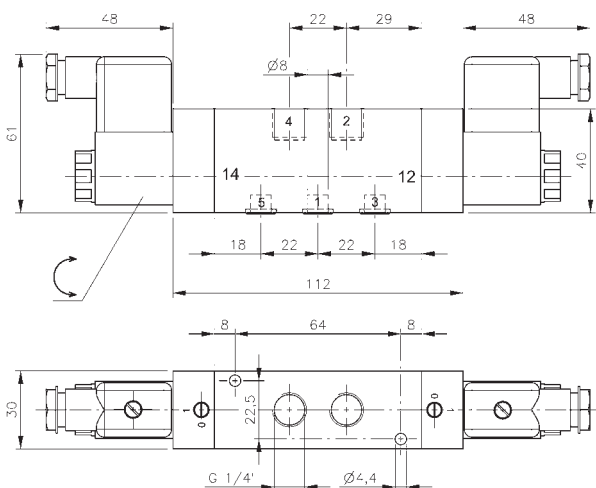
MH 53_ 503/MH 53_ 703/MH 53_ 803



MH 53_ 503



MH 53_ 703



MH 53_ 803



5/3-way solenoid valve with spring return to middle position, actuated by permanent signal. Ports 2 and 4 are in the valve, ports 1, 3 and 5 in the manifold plate.

- Type 531 centre closed
- Type 532 centre exhausted
- Type 533 centre pressurised

When ordering please complete the type number by 1, 2 or 3 according to the type required.

Available with solenoid operators:
230V/50Hz, 110V/50Hz, 24V/50Hz, 48V=, 24V-, 12V=.

Valves are generally equipped with manual override. If requested without manual override please order M 53_ _ _ _ (please add 1 digit for type and 3 for size).

Manifolds for valves type 503 are displayed on page 2.7.2.2, manifolds for valves type 703 are displayed on page 2.7.2.3, manifolds for valves type 803 are displayed on page 2.7.2.5.

Blanking plates are also available type BP 5 503, BP 5 703 or BP 5 803.

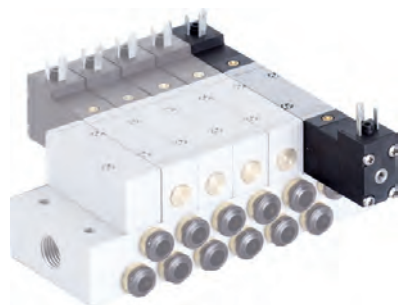
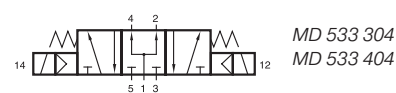
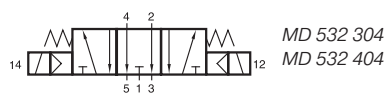
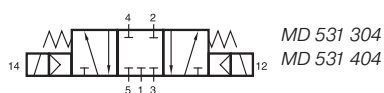
Mounting screws and seals are included.

Type	Ports 2, 4	Air flow	Operating press.	Power consumption	Weight
MH 53_ 503	G 1/8"	650 l/min	3 - 10 bar	3 W = / 5 VA ~	0,31 kg MK
MH 53_ 703	G 1/4"	1250 l/min	3 - 10 bar	3 W = / 5 VA ~	0,33 kg MK
MH 53_ 803	G 1/4"	1450 l/min	3 - 10 bar	3 W = / 5 VA ~	0,56 kg

MD 53_304/MD 53_404

2.5.3.2.3

page 136



5/3-way solenoid valve with spring return to middle position, actuated by permanent signal. All the ports are in the plate.

- Type 531 centre closed
- Type 532 centre exhausted
- Type 533 centre pressurised

When ordering please complete the type number by 1, 2 or 3 according to the type required.

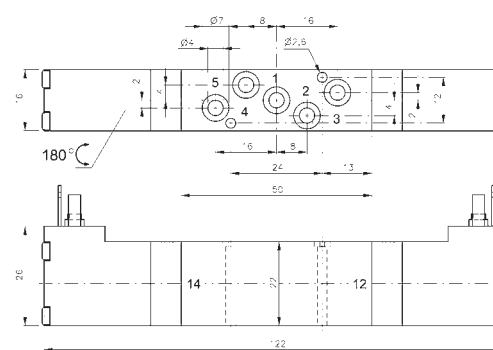
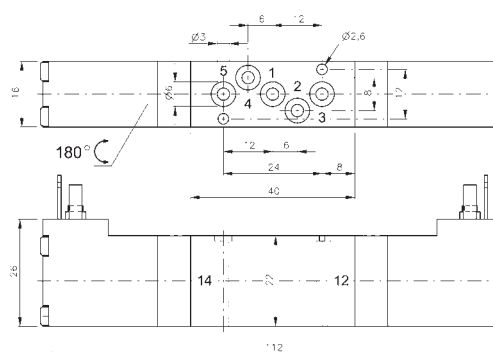
Available with solenoid operators:
230V/50Hz, 110V/50Hz, 24V/50Hz, 24V=,
12V=, 6V= either for connector form C ISO 15217
or with flying leads, standard cable length 500 mm.
For details about solenoid system, please refer to
page 2.13.1.

Valves are generally equipped with manual override
to push.

Manifolds are described on page 2.7.2.6.

Blanking plates are also available type BP 5 344
or BP 5 464.

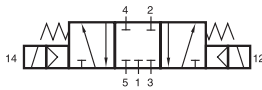
Mounting screws and seals are included.



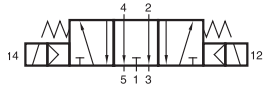
Type	Port size	Air flow	Operating press.	Power consumption	Weight
MD 53_304	Ø 3 mm	280 l/min	3 - 10 bar	1,8 W = / 3,0 VA ~	0,13 kg
MD 53_404	Ø 4 mm	450 l/min	3 - 10 bar	1,8 W = / 3,0 VA ~	0,14 kg



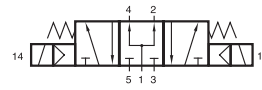
MH 53_ 304/MH 53_ 504 MH 53_ 704/MH 53_ 104



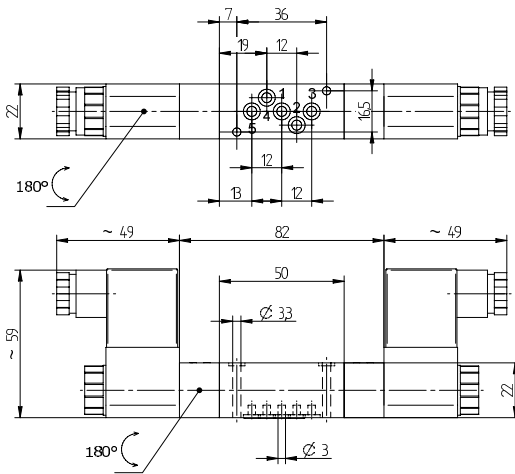
MH 531 304
MH 531 504
MH 531 704
MH 531 104



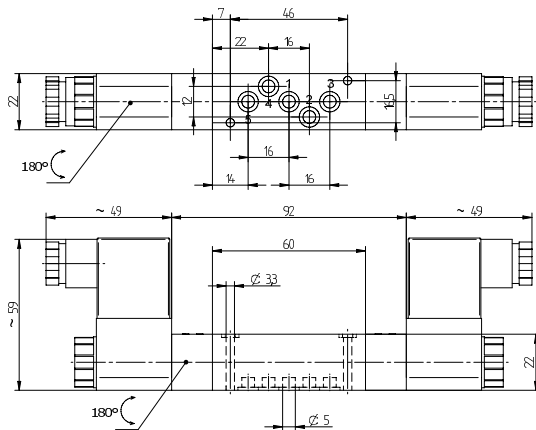
MH 532 304
MH 532 504
MH 532 704
MH 532 104



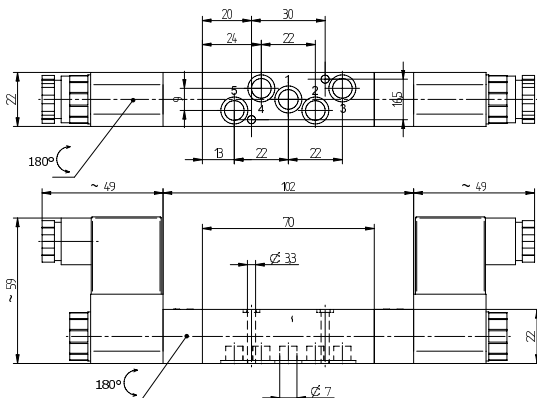
MH 533 304
MH 533 504
MH 533 704
MH 533 104



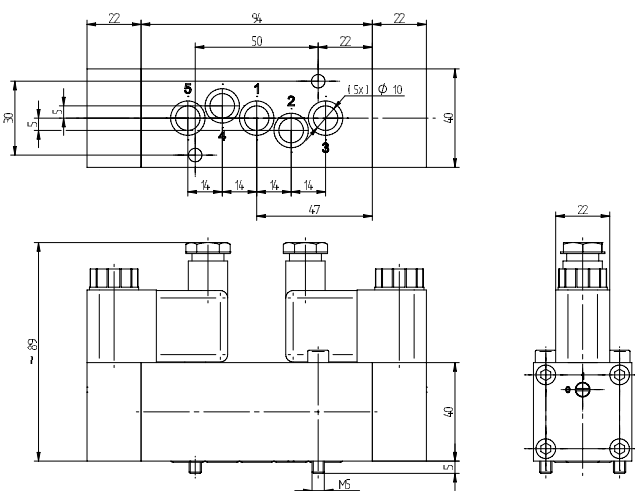
MH 53_ 304



MH 53_ 504



MH 53_ 704



MH 53_ 104

5/3-way solenoid valve with spring return to middle position, actuated by permanent signal. All the ports are in the plate.

- Type 531 centre closed
- Type 532 centre exhausted
- Type 533 centre pressurised

When ordering please complete the type number by 1, 2 or 3 according to the type required.

Available with solenoid operators:
230V/50Hz, 110V/50Hz, 24V/50Hz, 48V=, 24V=, 12V=.

Valves are generally equipped with manual override. If requested without manual override please order M 53_ _ _ _ (please add 1 digit for type and 3 for size).

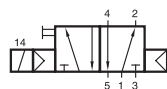
Manifolds for valves type 304 and 504 are displayed on page 2.7.2.7. Manifolds for valves type 704 are displayed on page 2.7.2.8 and 2.7.2.9. Manifolds for valves type 104 are displayed on page 2.7.2.10.

Blanking plates are also available:
Type no. BP 5 304, BP 5 504 or BP 5 704.
Mounting screws and seals are included.

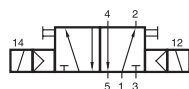
Type	Port size	Air flow	Operating press.	Power consumption	Weight
MH 53_ 304	Ø 3 mm	220 l/min	3 - 10 bar	3 W = / 5 VA ~	0,25 kg ❄️
MH 53_ 504	Ø 5 mm	650 l/min	3 - 10 bar	3 W = / 5 VA ~	0,27 kg ❄️MK
MH 53_ 704	Ø 7 mm	1250 l/min	3 - 10 bar	3 W = / 5 VA ~	0,29 kg ❄️MK
MH 53_ 104	Ø 10 mm	2250 l/min	1,5 - 10 bar	3 W = / 5 VA ~	0,80 kg



MH 510 704 ISO1 / MH 520 704 ISO1 RP 5 704 ISO1



MH 510 704 ISO1



MH 520 704 ISO1



5-way solenoid valve and sub-base according to ISO 5599-1 size ISO 1.

- Type 510 5/2-way single solenoid, with air spring return
- Type 520 5/2-way double solenoid, actuated by impulse

5/3-way centre closed available on request.

Available with solenoid operators:
230V/50Hz, 110V/50Hz, 48V/50Hz, 24V/50 Hz,
24V=, 12V=.

Valves are generally equipped with manual override.

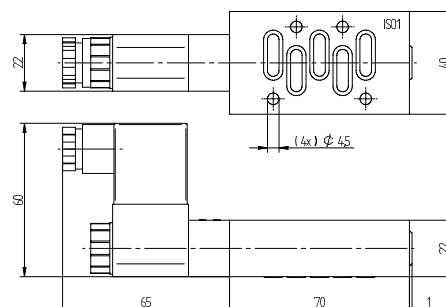
Mounting screws and seals are included.

RP 5 704 ISO1

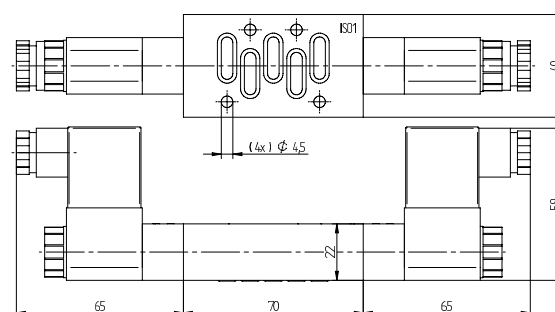
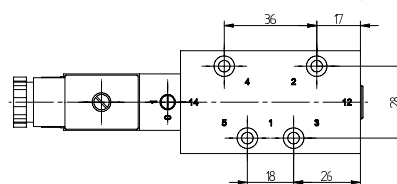
Single sub-base with 5 x G 1/4" threads.

ISO.1 P12

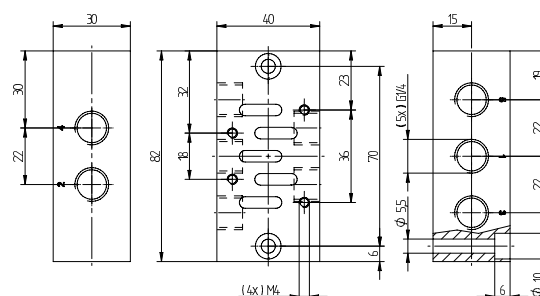
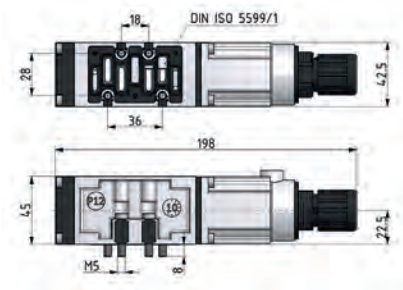
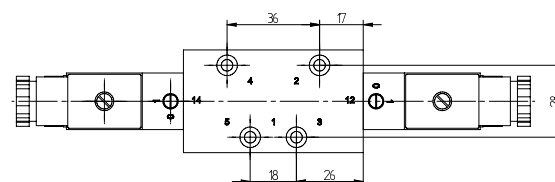
Flange-mounted pressure regulator which can be put between the sub-base and valve.
Adjustable pressure range: 0,5 - 10 bar



MH 510 704 ISO1



MH 520 704 ISO1

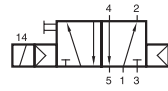


RP 704 ISO1

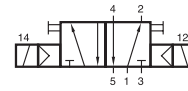
Type	Port size	Air flow	Operating press.	Power consumption	Weight
MH 510 704 ISO1	Ø 7 mm	1250 l/min	2 - 10 bar	3 W = / 5 VA ~	0,28 kg
MH 520 704 ISO1	Ø 7 mm	1250 l/min	2 - 10 bar	3 W = / 5 VA ~	0,39 kg
RP 5 704 ISO1	G 1/4"	1250 l/min		3 W = / 5 VA ~	0,23 kg



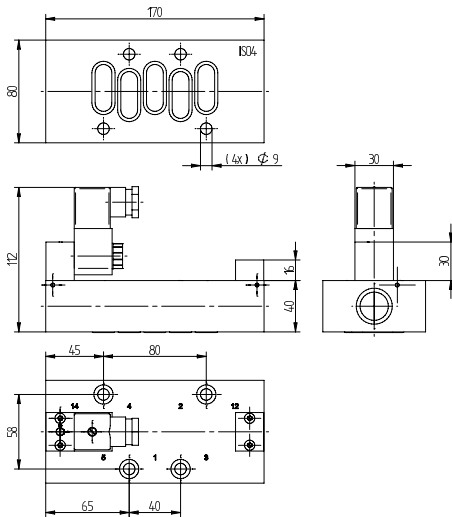
MH 510 184 ISO4/MH 520 184 ISO4



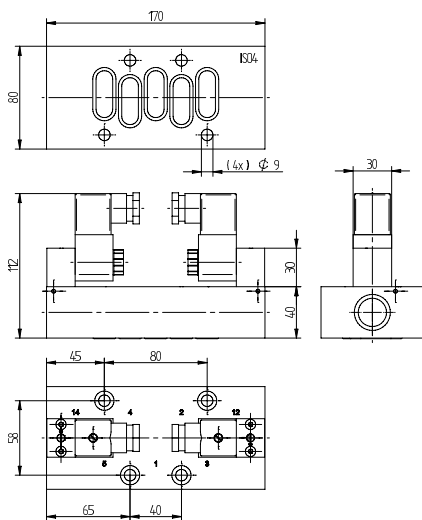
MH 510 184 ISO4



MH 520 184 ISO4



MH 510 184 ISO4



MH 520 184 ISO4



5-way solenoid valve according to ISO 5599-1 size ISO 4.

Type 510 5/2-way single solenoid, with air spring return

Type 520 5/2-way double solenoid, actuated by impulse

5/3-way centre closed available on request.

Valves can be used with industryform B coils (22 mm) type MA 22 displayed on page 2. 13.2 as well as Form A coils (30 mm) type MA 30 S9 displayed on page 2. 13.4.

Available with solenoid operators:
230V/50Hz, 110V/50Hz, 48V/50Hz, 24V/50 Hz, 24V=, 12V=.

Valves are generally equipped with manual override.

Mounting screws and seals are included.

Manifolds are displayed on the next page.

Type	Port size	Air flow	Operating press.	Power consumption		Weight
				With MA 22 coils	With MA 30 S9 coils	
MH 510 184 ISO4	Ø 18 mm	6000 l/min	1 - 10 bar	3 W = / 5 VA ~	2 W = / 3 VA ~	1,55 kg
MH 520 184 ISO4	Ø 18 mm	6000 l/min	1 - 10 bar	3 W = / 5 VA ~	2 W = / 3 VA ~	1,70 kg

RB 5__ 184 K1 ISO4/RB 5__ 184 K2 ISO4



Modular manifold system according to ISO 5599-1 size ISO 4 with all ports on the bottom. Plates are designed for assemblage in control cabinets.

Common connection to port 1 (pressure), 3 (exhaust) and 5 (exhaust). The ports 2 and 4 of the individual valves are also located in the manifold plate. The system can be build up and taken apart by just opening two hexagon socket screws. Additional stations can be added at any position and any time.

The following valves can be assembled to the system RB 5__ 184 K_ ISO4:

- 5/2 single solenoid MH 510 184 ISO4
page 2.5.4. 1.2
- 5/2 double solenoid MH 520 184 ISO4
page 2.5.4. 1.2

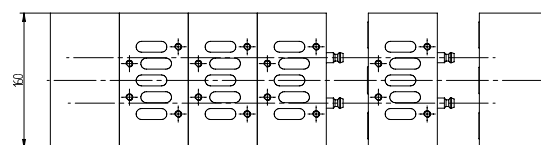
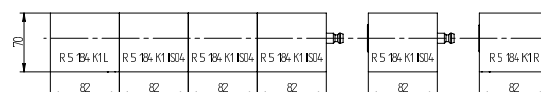
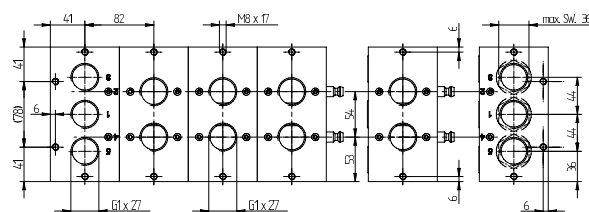
3/2-way functions by closing either port 2 or 4.

The system consists of:

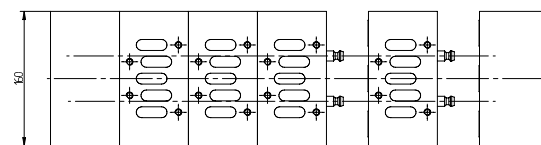
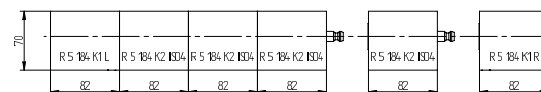
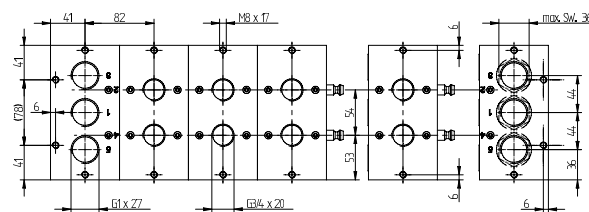
- End-plate right type R 5 184 K1 R
- End-plate left type R 5 184 K1 L
- Individual position type R 5 184 K1 ISO4
with G 1" ports
- type R 5 184 K2 ISO4
with G 3/4" ports

Please note:
End-plates are not offering an individual valve-position.

The plates can also be ordered assembled by the manufacturer.
In this case order RB 5__ 184 K_ ISO4. Please add two digits for the number of positions required and one digit for the thread size.



RB 5__ 184 K1 ISO4

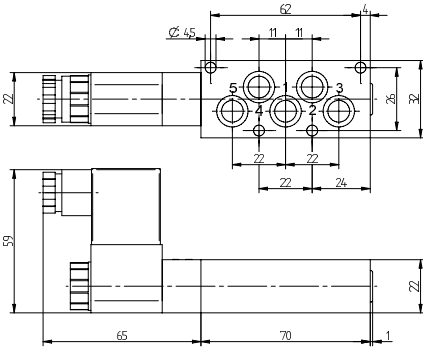
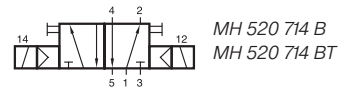
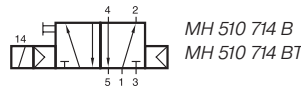


RB 5__ 184 K2 ISO4

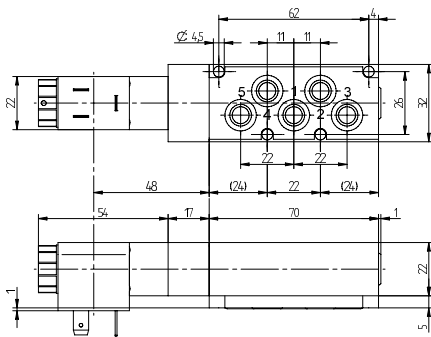
Type	Function	Port size	Weight
R 5 184 K1 R	End-plate right		1,80 kg
R 5 184 K1 L	End-plate left		1,80 kg
R 5 184 K1 ISO4	Individual position	G 1"	1,80 kg
R 5 184 K2 ISO4	Individual position	G 3/4"	1,80 kg



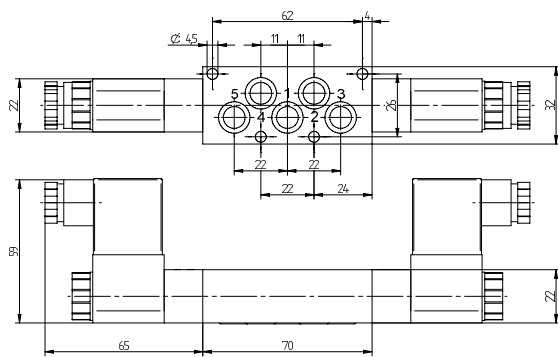
MH 510 714 B/MH 510 714 BT MH 520 714 B/ MH 520 714 BT



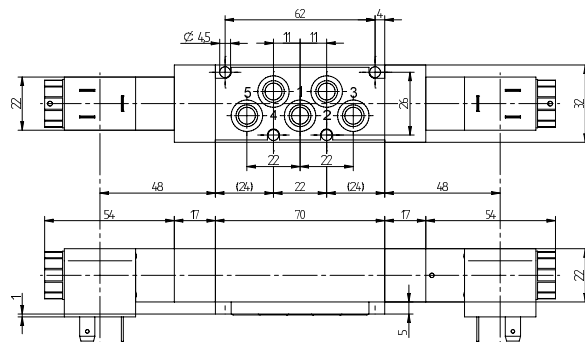
MH 510 714 B



MH 510 714 BT



MH 520 714 B



MH 520 714 BT



5-way solenoid valve with standardized interface which is widely used in packaging machines for bulk materials such as cement.

Type 510 5/2-way single solenoid, with air spring return

Type 520 5/2-way double solenoid, actuated by impulse

Type B For manifold assembly

Type BT For valve terminal assembly, including intermediate plate type ZP 714 BT

Available with solenoid operators:

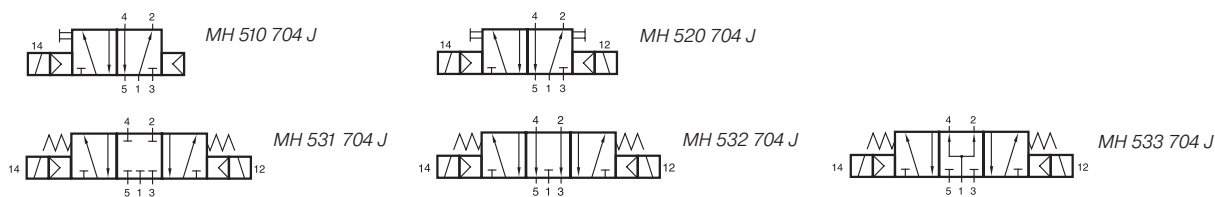
230V/50Hz, 110V/50Hz, 48V/50Hz, 24V/50 Hz, 24V=, 12V=.

Valves are generally equipped with manual override.

Mounting screws and seals are included.

Type	Usage	Port size	Air flow	Operating press.	Power cons.	Weight
MH 510 714 B	Manifold	Ø 7 mm	1250 l/min	2 - 10 bar	3 W = / 5 VA ~	0,20 kg
MH 520 714 B	Manifold	Ø 7 mm	1250 l/min	2 - 10 bar	3 W = / 5 VA ~	0,29 kg
MH 510 714 BT	Valve Terminal	Ø 7 mm	1250 l/min	2 - 10 bar	3 W = / 5 VA ~	0,30 kg
MH 520 714 BT	Valve Terminal	Ø 7 mm	1250 l/min	2 - 10 bar	3 W = / 5 VA ~	0,44 kg

MH 510 704 J/MH 520 704 J/MH 53_ 704 J



5-way solenoid valve with standardized interface which is widely used in packaging machines for bulk materials such as cement.

- Type 510 5/2-way single solenoid, with air spring return
- Type 520 5/2-way double solenoid, actuated by impulse
- Type 531 5/3-way centre closed
- Type 532 5/3-way centre exhausted
- Type 533 5/3-way centre pressurized

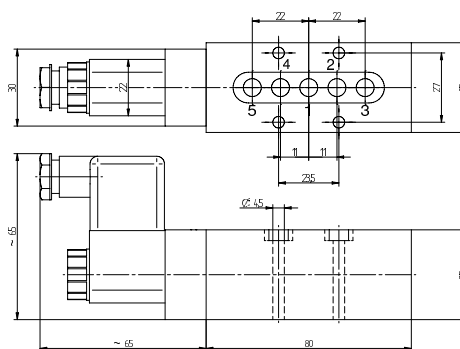
Available with solenoid operators:
230V/50Hz, 110V/50Hz, 48V/50Hz, 24V/50 Hz, 24V=, 12V=.

Valves are generally equipped with manual override.

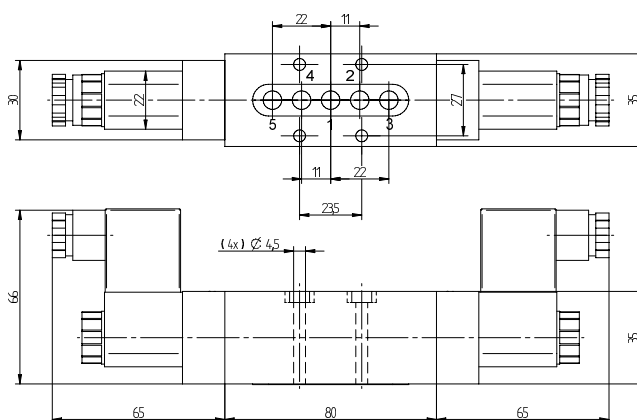
Mounting screws and seals are included.

Pneumatically actuated versions available on request.

Valves can be put onto the single base-plate type R 520 704 J which is displayed on the following page.



MH 510 704 J

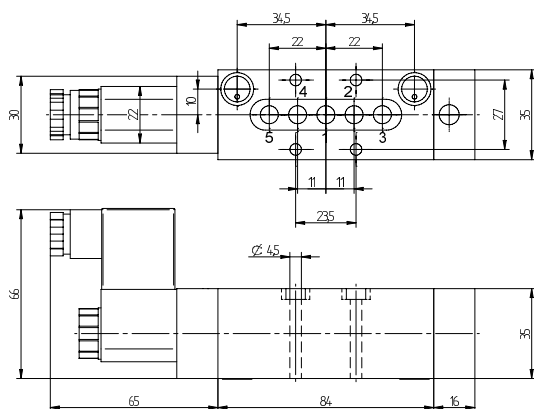
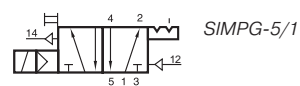


MH 520 704 J/MH 53_ 704 J

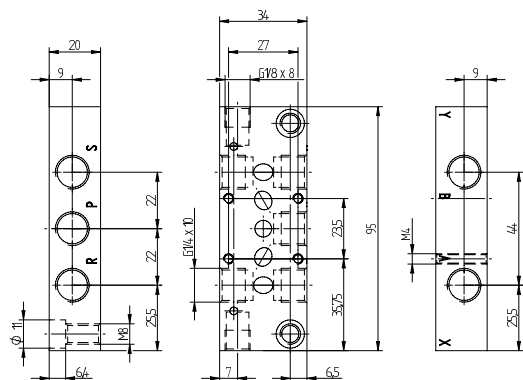
Type	Function	Port size	Air flow	Operating press.	Power cons.	Weight
MH 510 704 J	5/2-way single solenoid	Ø 7 mm	1250 l/min	1 - 10 bar	3 W = / 5 VA ~	0,55 kg
MH 520 704 J	5/2-way double solenoid	Ø 7 mm	1250 l/min	1 - 10 bar	3 W = / 5 VA ~	0,68 kg
MH 531 704 J	5/3-way centre closed	Ø 7 mm	1250 l/min	3 - 10 bar	3 W = / 5 VA ~	0,68 kg
MH 532 704 J	5/3-way centre exhausted	Ø 7 mm	1250 l/min	3 - 10 bar	3 W = / 5 VA ~	0,68 kg
MH 533 704 J	5/3-way centre pressurised	Ø 7 mm	1250 l/min	3 - 10 bar	3 W = / 5 VA ~	0,68 kg



SIMPG-5/1 /R 520 704 J



SIMPG-5/1



R 520 704 J

SIMPG-5/1

5/2-way bistable valve with detent in both positions. Electric signal at 14 actuates the valve, the spool locks. If the electric signal is taken away, the valve stays in this position.

A pneumatic signal has to be applied to port 12 to change the position again.

Pilot port 14 is not an external pilot feed but an additional signal can be taken, when solenoid is actuated.

Valves can be used with industryform B coils (22 mm) type MA 22 displayed on page 2. 13.2 as well as Form A coils (30 mm) type MA 30 S9 displayed on page 2. 13.4.

Available with solenoid operators:
230V/50Hz, 110V/50Hz, 48V/50Hz, 24V/50 Hz, 24V=, 12V=.

Valve is generally equipped with manual override.

Mounting screws and seals are included.

Pneumatically actuated versions available on request.

R 520 704 J

Single base-plate for valves type MH 5__ 704 J and SIMPG-5/1.

Type	Port size	Air flow	Operating press.	Power consumption	Weight
SIMPG-5/1	Ø 7 mm	1250 l/min	2 - 10 bar	3 W = / 5 VA ~	0,34 kg
R 520 704 J	G 1/4"	1250 l/min			0,20 kg

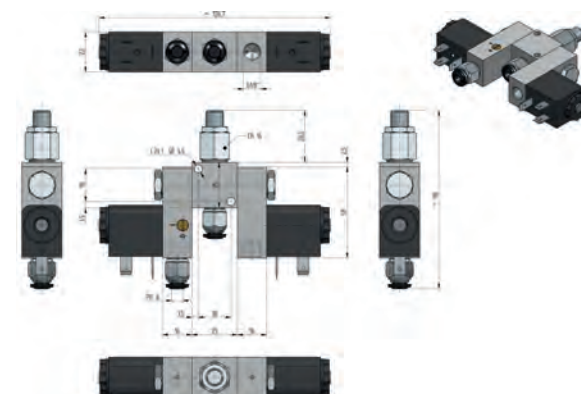
Hafner where non-standard is standard

page 144

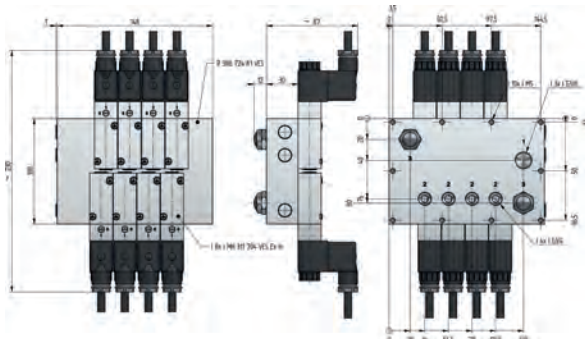


Our experienced and highly motivated team of engineers will assist in providing solutions for specialized applications, often modifying standard products to keep prices competitive. We realize components as well as systems. The modular design of the Hafner valves helps to manufacture non-standard items in an economic manor.

Examples of customized solutions:

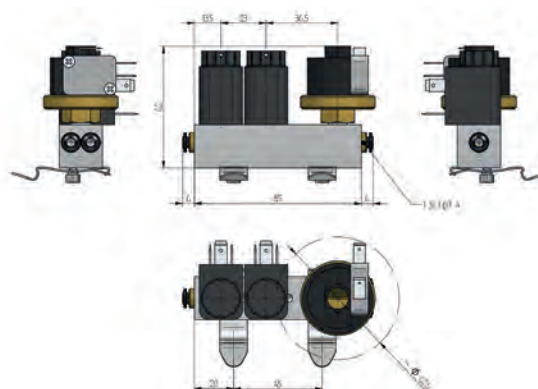


Two direct acting valves combined to control pneumatic cylinders as well as an inflatable seal in disinfectors. The solution ensures that the door remains closed even in case of pressure loss. The unit also includes a pressure safety valve.

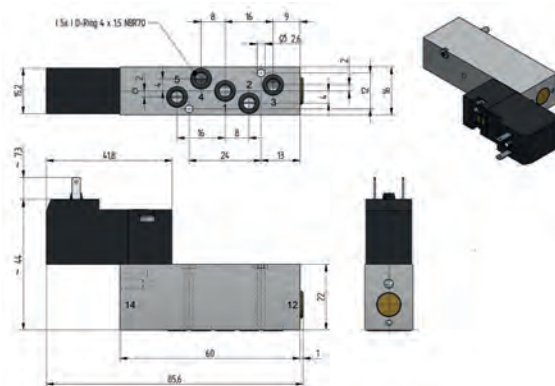


Stainless steel manifold solutions designed for oil rigs. The systems offer:

- Redundancy
- ATEX-certification for explosion hazardous environment
- SIL 3 certification



Valve for pressing machines designed according to customer specifications with bar code and type number.



Valve used in road sweepers designed for usage in limited space and for high temperatures of up to +80°C.

